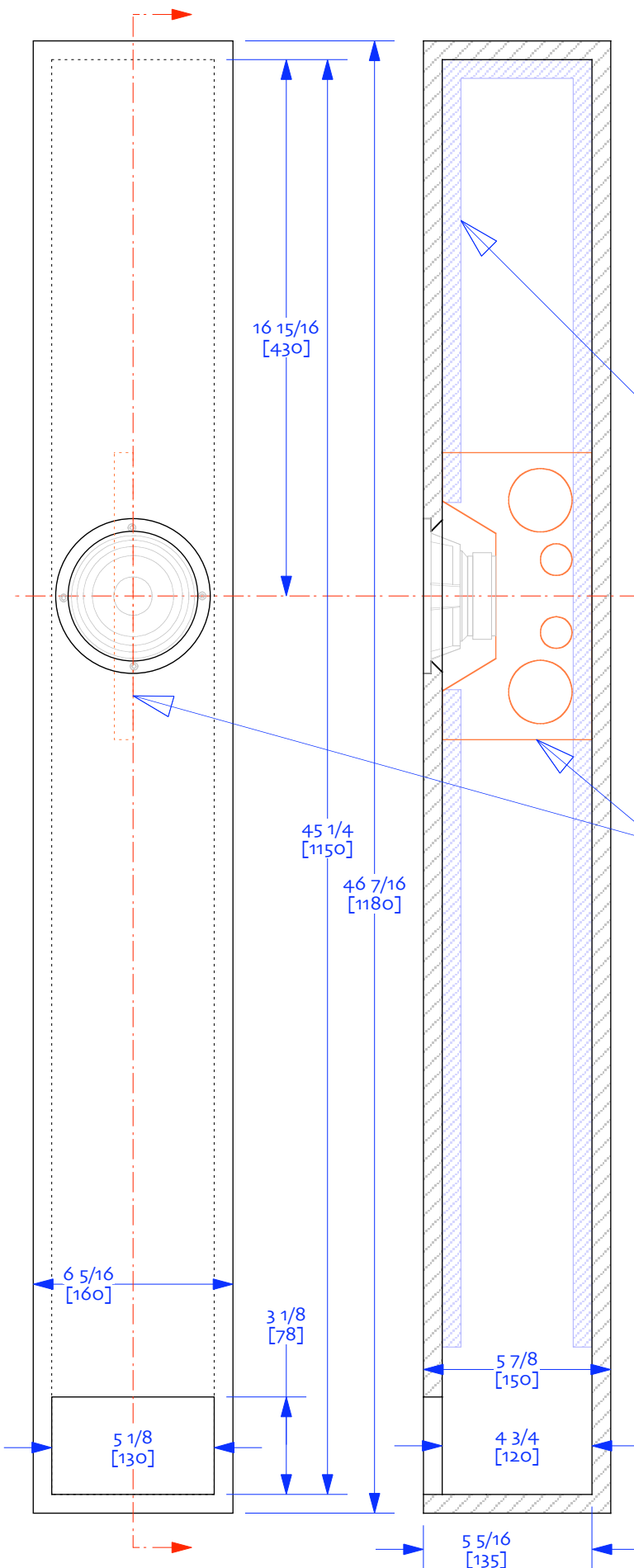
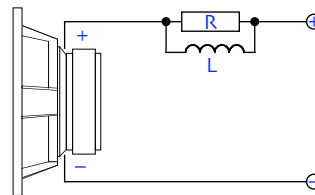


- Easy-to-build, single line
- Use 15-mm MDF or marine ply.
  - Add 15-mm or thicker sound damping material to get your sound you like.
  - Make the base bigger if you wish.

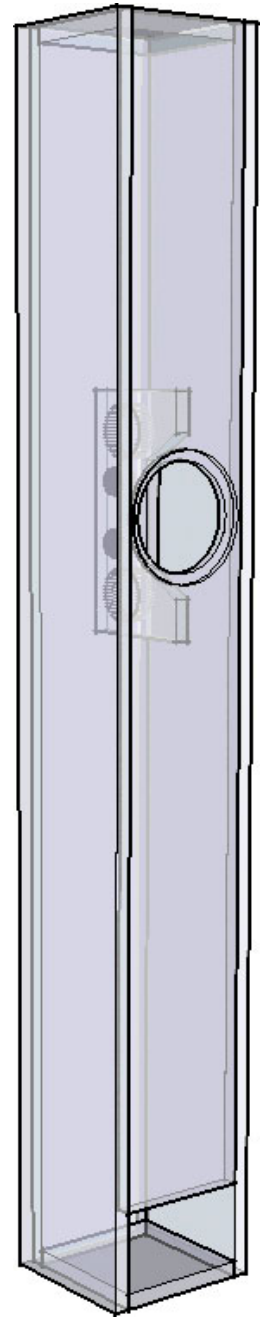


~15-20mm damping material – adjust to taste

optional driver brace

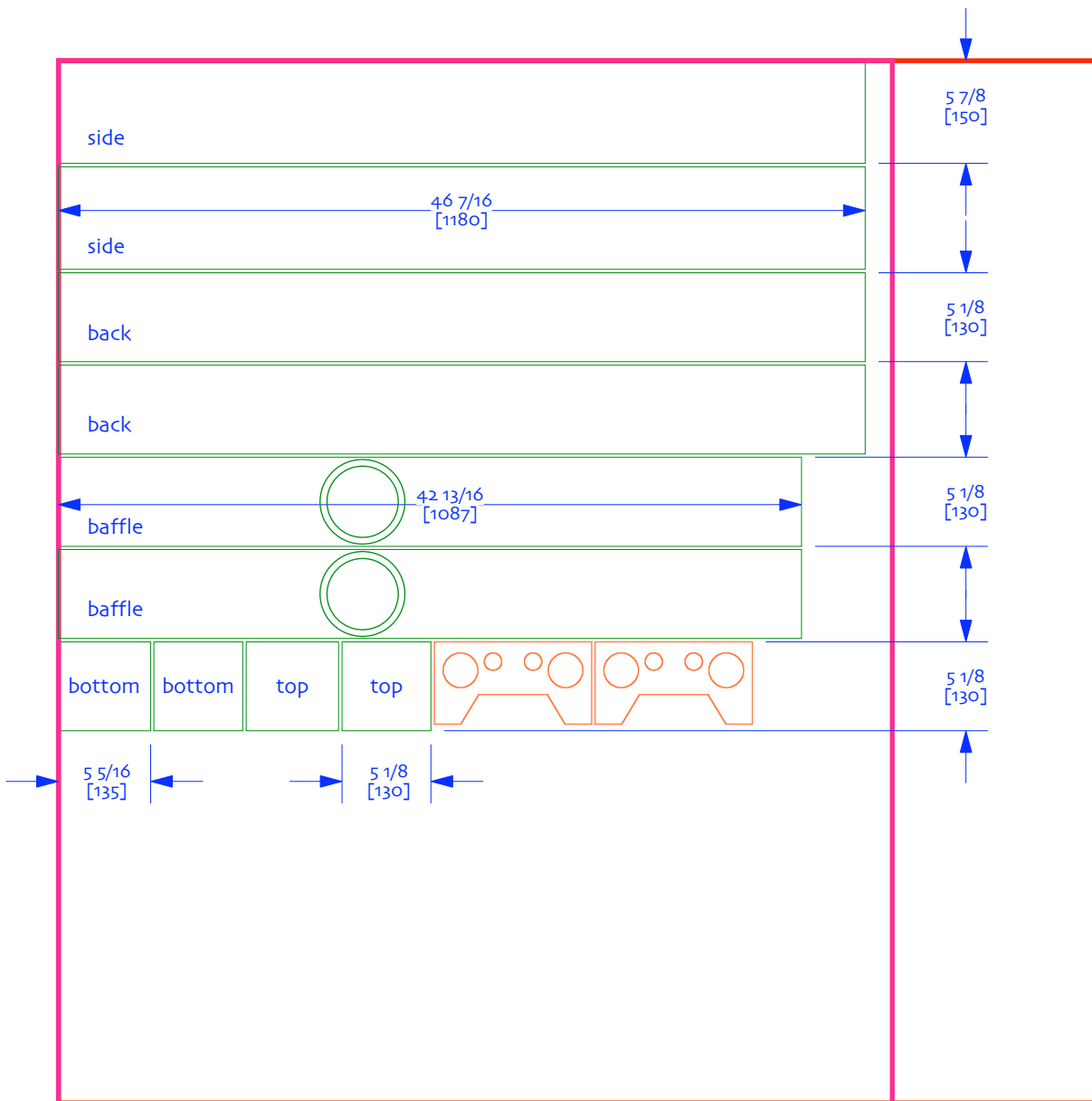


Try adding a simple filter. Start with a 1.5mH inductor and 10W 40hm resistor



**MiCHR-70 Pensil 70**

©2009 Markaudio, a trading name of Markimage Limited. All rights reserved. For DIY build use only, No commercial use of this design is allowed without the written permission of Markimage Limited. Markimage Ltd., Unit F, Floor 8, Yip Cheung Centre, 10 Fung Yip Street, Chai Wan, Hong Kong tel : +852 2575 0232 | fax : +852 2575 0112 email : support@markaudio.com



# MiCHR-70 Pensil 70

©2009 Markaudio, a trading name of Markimage Limited.  
 All rights reserved.  
 For DIY build use only, No commercial use of this design is  
 allowed without the written permission of Markimage Limited.  
 Markimage Ltd., Unit F, Floor 8, Yip Cheung Centre,  
 10 Fung Yip Street, Chai Wan, Hong Kong  
 tel : +852 2575 0232 | fax : +852 2575 0112  
 email : support@markaudio.com

Notes:  
 1/ 5mm allowance for kerfs  
 2/ orientation shown so that it will fit on 5' x 5'  
 or 4' x 8' sheets