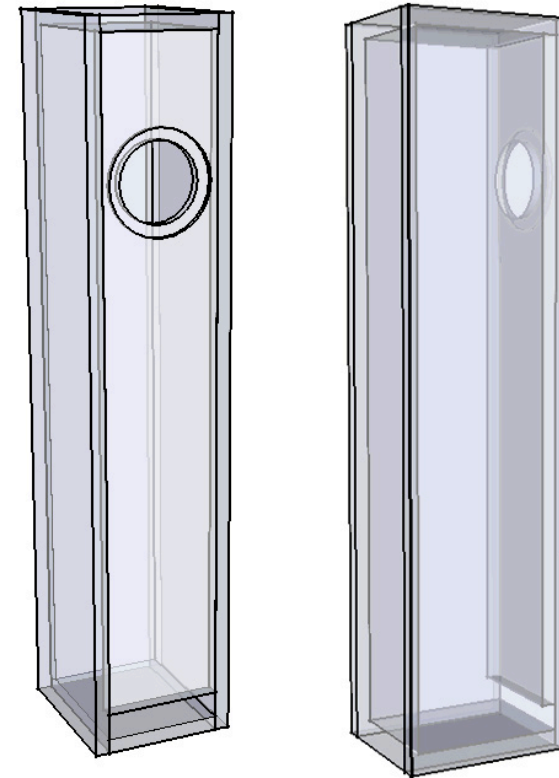
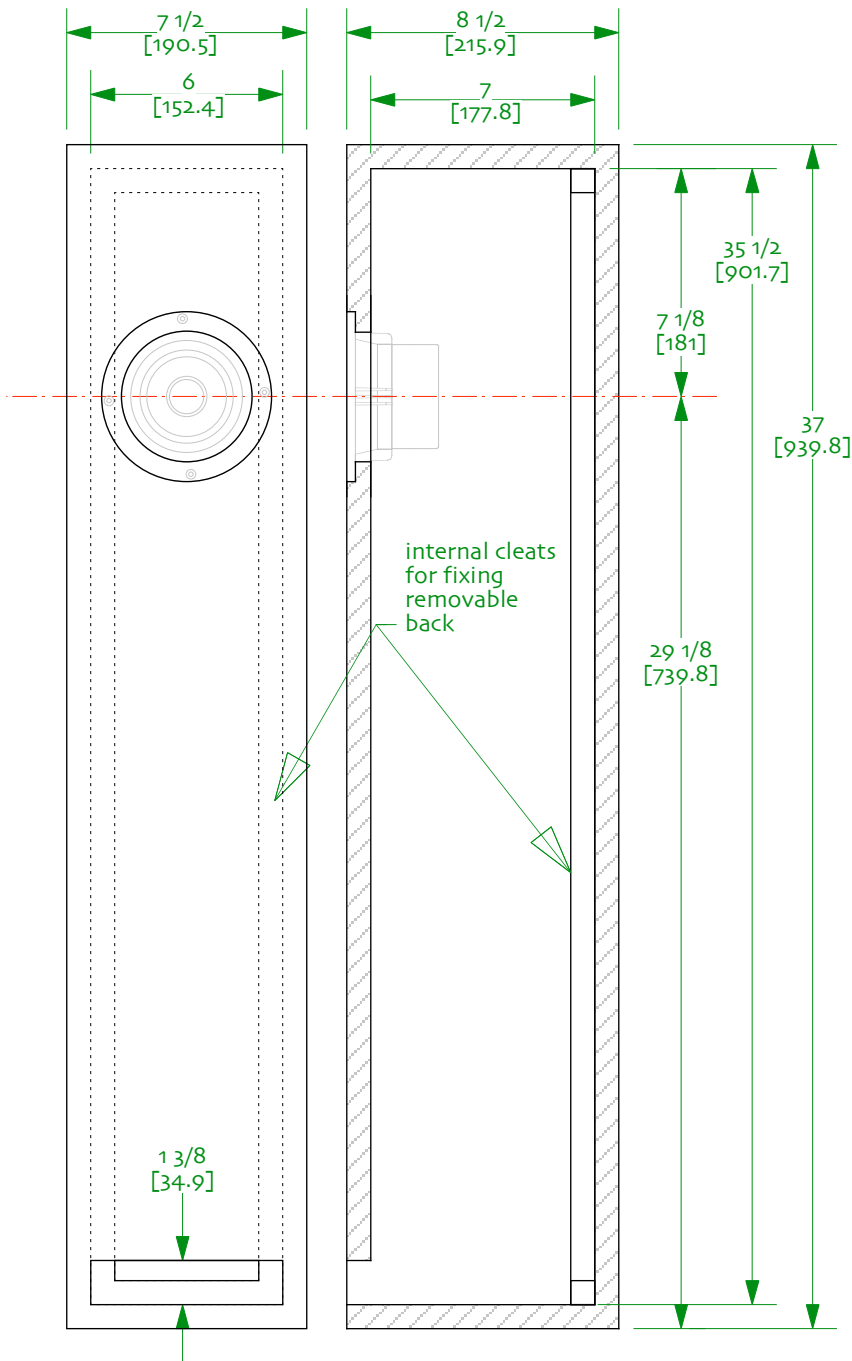




Alpair 7 Pensil 7

designed by S Lindgren drawn by dld
 13-july-2010
 ©2010 Markaudio All rights reserved
 NOT for commercial use without prior
 written approval from Markimage Limited



Notes:

- 0/ drawing uses $\frac{3}{4}$ " (19.1mm) material. 18-20mm OK. Quality multi-ply recommended
- 1/ stuff with 0.75 lbs / ft³ (0.65 pounds = 0.29 kg) of polyfill
- 2/cleats on back to allow for removable back, useful for adjusting the stuffing
- 3/ bracing is optional. For bracing ideas please see the bracing sheet in the superPensil12 plans