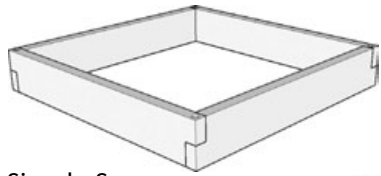
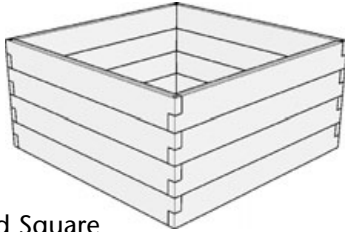


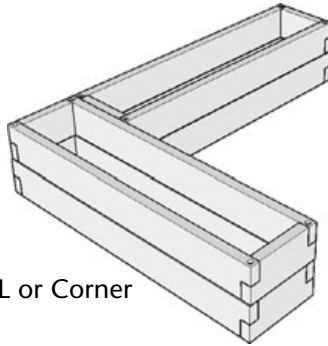
## Examples



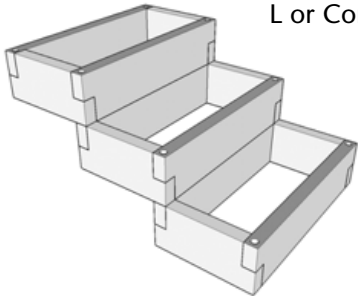
Simple Square



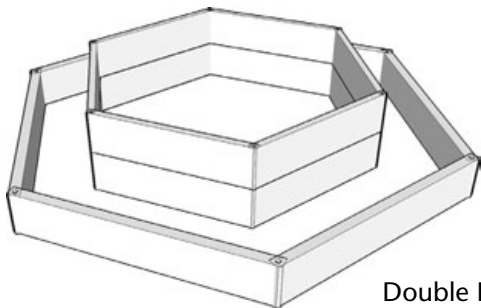
Stacked Square



L or Corner



Stairs



Double Hexagon

### Rot Resistant

Western Red Cedar and Yellow Cedar are the ultimate rot resistant organic product

### Complete Versatility

Build almost any shape or size. Pick up and move. Re-use and add-on component pieces.

### Fun and Friendly

Easy to assemble and no tools required. Small locally run value added manufacturer making the most out of our forests

### Ordering

eMail [urbanmilling@shaw.ca](mailto:urbanmilling@shaw.ca)  
call 250 896 8463 with your configuration

### Design

Design assistance available  
Downloadable SketchUp models of common shape beds available on the website



1729 Falcon Heights Rd  
Victoria, BC V9B 6H6  
(250) 896 8463  
[urbanmilling@shaw.ca](mailto:urbanmilling@shaw.ca)  
[www.urbanmilling.com](http://www.urbanmilling.com)



## Rain Coast Raised Beds

Standard size pieces allow you to create your own custom outdoor garden beds



The mark of responsible forestry

## A Versatile, Simple Raised Garden Bed System

Our raised garden bed component system lets you mix and match pieces to your exact requirements. Manufactured from salvaged Forest Stewardship Council® certification (FSC®) Western Red or Yellow Cedar, these garden beds promote drainage and root aeration, extend the growing season, retain heat for soil, and allow for more intensive agriculture. Natural Cedar is the perfect choice for organic gardening and our design adds style and versatility.

### You pick the shape and size

Beds are easy & simple to build, with standard interlocking, stackable "building blocks".

Component pieces can be fitted to make garden boxes of virtually any shape or size from simple rectangles to more complex polygons. Customize your box for height, size and shape.

Limited only by your imagination.



## Our System

Pieces come in 1', 1.5', 2', 3', 4' and 5' lengths with interlocking ends. Any combination of these pieces can be used to assemble the perfect raised bed for your needs. Steel, plastic, or wooden pins hold the component pieces together.

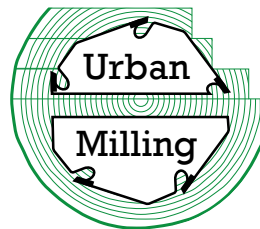


An example that uses standard irrigation pipe as pins and support for plastic covering to create a cold-frame...

### Environment Friendly. Socially Conscious.

Manufactured from salvaged wood with FSC makes this product sustainable and recycles small material that would otherwise be waste.

Material is all locally sourced and adds value to our community.



Some Examples...  
build almost any shape and size !!  
Use your imagination

