

# THE EAGLE



BULLETIN OF THE  
OTSCHODELA  
COUNCIL  
AMATEUR  
RADIO GROUP



VOLUME FIVE NUMBER 7

MARCH 2005

## Happy Saint Patrick's Day!

Scouting hams and hamming Scouters --

Otschodela Council Amateur Radio Group (OCARG) is dedicated to the enhancement of the Scouting program through amateur radio and to the advancement of amateur radio in Boy Scouting. Membership is open to any and all Scouters, amateur radio operators, Scouting and ham clubs and organizations, and all individuals, each with an interest in the Boy Scouts of America and other youth organizations as they relate to amateur radio. While originally intended for Otschodela Council, Oneonta, New York, OCARG has expanded into a worldwide organization with members in more than twenty states and six nations. There are no membership dues, no officers, no constitution, no newsletter charges, no commercial advertisements, and no organized meetings. All communications are via email or ham radio. All that's required to join is an interest in ham-Scouting and an email to [k2frd@arrl.net](mailto:k2frd@arrl.net) requesting membership. OCARG is an FCC-licensed Amateur Radio Club Station with the callsign KZ2BSA.

Hyperlinks are now active using Adobe Reader version 7.

Copies of the *OCARG EAGLE* are sent to many interested persons in addition to OCARG members. If you feel that you have received this newsletter in error or no longer wish to receive it, kindly send a message so stating to one of the above addresses.

The online edition of the *OCARG EAGLE* may be found at: <http://homepage.mac.com/k2frd/ocarg.htm> .

## CONTEST TIME!

As mentioned in the 1 March email, I am starting an *EAGLE* contest with this issue. While I can't promise a contest every month, I can guarantee that it will be fun.

For this month, there is an INTENTIONAL error of fact within this issue. (NOTE: while there may be other errors such as typos, these don't count.) The winner will receive an Otschodela Council shoulder patch (railroad version). Winner

is the first to send me the correct answer by email; the earliest time stamp will be used if there is a same-day tie (my Mac uses Zulu time, so time zones do not matter). Email: [k2frd@arrl.net](mailto:k2frd@arrl.net) .

The winner will be announced in the April *EAGLE* but the prize will be sent immediately upon receipt of a mailing address.

---

## **KZ2BSA OCARG CONTINUES PLANS FOR FIELD DAY 2005**

KZ2BSA and OCARG continued planning for Field Day 2005 as reported in last month's *OCARG EAGLE*. What is needed at this time are commitments from more Scouts and Scouters to operate during some part or all of the Field Day weekend; we need this information as soon as possible to determine logistics requirements such as generator size and numbers of radios to be dedicated for the event.

Send any comments or questions to [K2FRD@arrl.net](mailto:K2FRD@arrl.net).

---

## **EAGLE HYPERTEXT LINKS NOW ACTIVE, BUT...**

Effective in February, all hyperlinks within the *OCARG EAGLE* are now active, meaning they can be clicked upon and the webpage (URL) or email address will be accessed. But, one needs to download and install the latest version of Adobe Reader. Adobe Reader, now version 7 which became available in January makes this edition and all previous issues of the *EAGLE* viewable with active hypertext as long as Adobe Reader 7 is used to open the file.

The latest version of Adobe Reader is available at: <http://www.adobe.com/products/acrobat/readstep2.html> .

A cautionary note: I found that the "hand" (pointer cursor) takes one to two seconds for the hyperlink to activate; also, positioning of the cursor on the hypertext may be a little tricky.

On a personal note, as most know, I've been looking for a means to activate the *EAGLE* hyperlinks ever since we commenced publishing the *EAGLE* in PDF format last June. I did not want to pay the \$299 for Acrobat, but had investigated some two dozen different PDF maker and creator programs with little success; most were very user unfriendly or simply did not offer hyperlink insertion nor activation, so were deemed unsatisfactory. Adobe Reader 7 came through in a very timely manner; I was about to purchase a PDF creator program which stated that it could create active hypertext although its demo version showed it was a very complicated process. Adobe Reader 7 also makes my editing life a lot simpler since I no longer have to insert hyperlink coding or otherwise manipulate a URL or address to make it active within the draft (I need to do this to check for typos and to ensure the referred site is functional).

de K2FRD

---

## **NEWS FROM DENNIS KLIMOWSKI KC2IKQ**

We're always happy to hear from old friends. Dennis Klimowski KC2IKQ is one of the original OCARG members. Of late, he has been active in Foothills District (Otschodela Council, Oneonta, NY) 1st aid meet as coordinator with site location Delhi College staff personnel.

Dennis, from Delhi NY is now in Army MARS and has finally finished training status. He is also doing ARES/RACES for Delaware and Otsego counties. Wife Pauline KC2JVD is also doing ARES/RACES with Dennis. He has been studying morse code and hopes to get the test on that done sometime this year so that he can get his general license and get into the HF bands more. Dennis' son Brian is KC2KJQ and daughter-in-law Nona is KC2KUD rounding out this ham-Scouting family.

Reported by Dennis Klimowski, edited by K2FRD  
AAT2CH (MARS)  
KC2IKQ

---

## SPACE FILLER (NPI): *ST: Enterprise* TO END SERIES

This has absolutely nothing to do with ham radio and Scouting, but to fill the space above the below schematics, I had to put something in. Word has trickled down that we Trekkies will no longer have a Star Trek series on the air for the first time in 18 years when UPN cancels *Star Trek: Enterprise* at the end of this season. An online petition is being circulated and may be signed at: [http://www.trektoday.com/news/020205\\_04.shtml](http://www.trektoday.com/news/020205_04.shtml). Ka`plah!

---

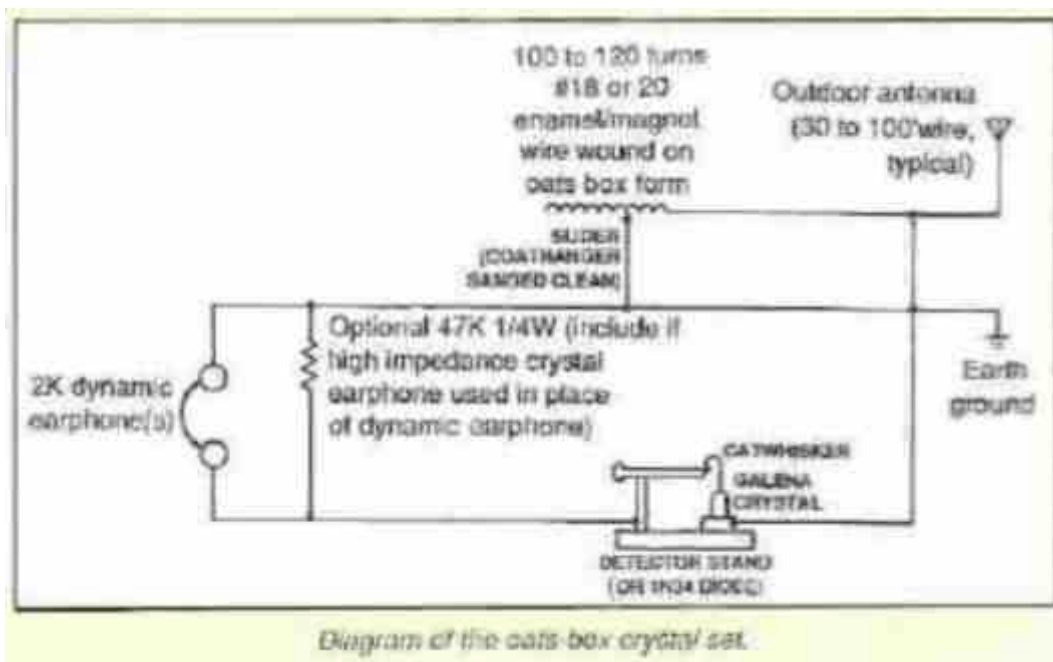
## CRYSTAL RADIOS: EARLY SOLID STATE

Tony Masi N2GVB send me several articles on crystal radios including one from the March 2005 issue of *QST* and one from the February 2005 edition of *CQ*. Due to the nature of their jpeg formats, I was unfortunately unable to convert them to readable text within the confines of this page margin except in a crude sense as reproduced below. I also had a little problem with copyright laws and permissioned reprints of published articles, but I'm going to take a chance and reproduce the schematic diagrams including authorship attribution. (If this doesn't work, please send QSL cards in care of me at Attica or Ft. Leavenworth.)

Crystal radios are described in the *QST* article as `foxhole radios`. Actually, soldiers in foxholes aren't particularly likely to assemble a radio and erect the long wire antenna necessary for adequate reception. The Boy Scout *Radio Merit Badge* pamphlet may be more accurate when it states that homebrew crystal radios were more likely improvised in prisoner of war camps. Nevertheless, many of us who have been around a few years got our starts into radio and communications electronics via homemade or kit crystal radio. Except for the headsets which are a little more difficult to improvise, the basic radio can be made with junk pieces such as an old razor blade (not stainless steel) and a safety pin; it is NOT necessary to use a piece of galena (lead ore) and a cat's whisker.

It should also be added that the impression should not be presumed that crystal radios were developed during World War 2. Crystal radios have been around at least since the early 1920s and probably earlier.

The first two schematics are by Dave Ingram K4TWJ, `World of Radio` columnist in the February 2005 *CQ Magazine*:



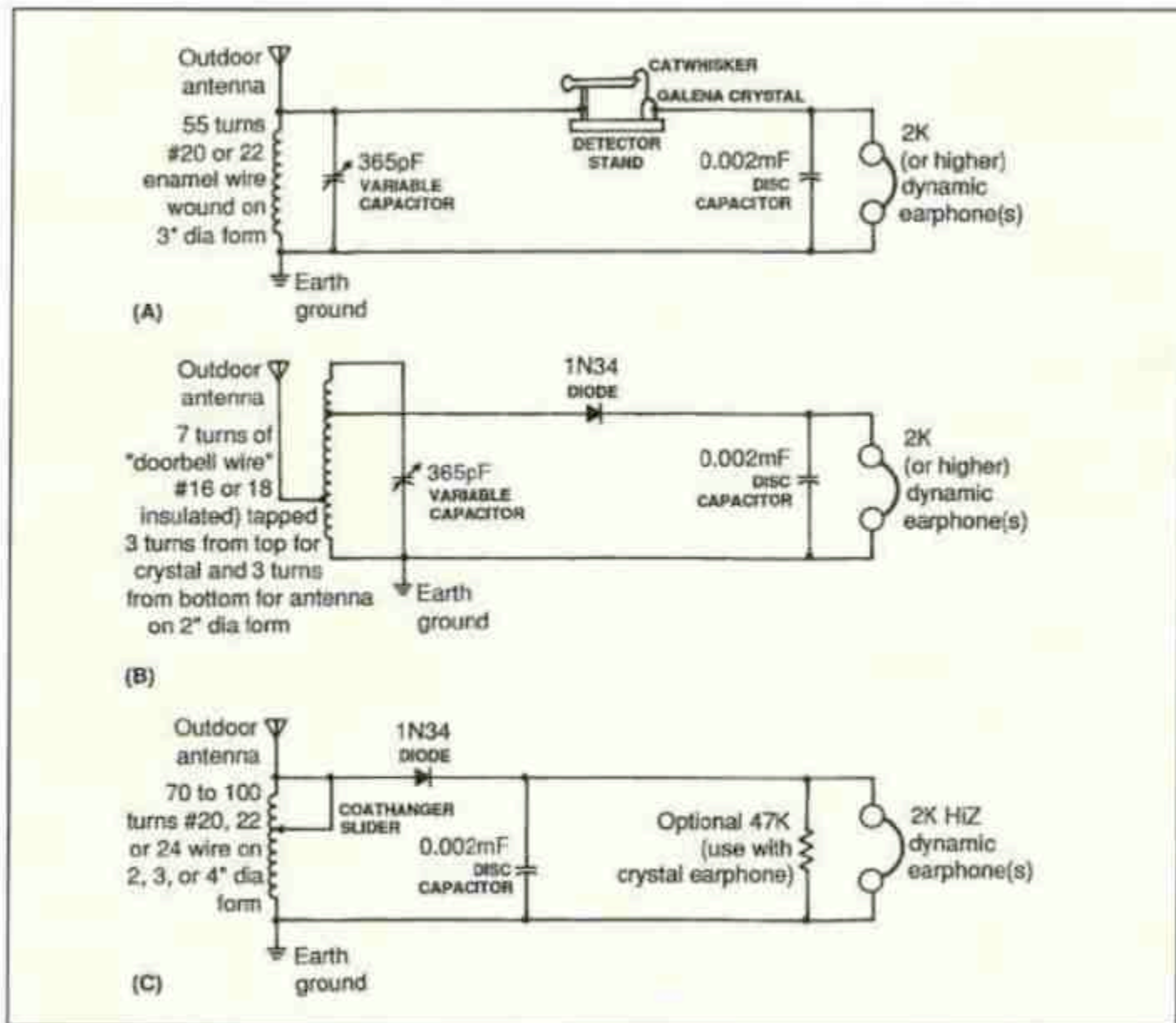
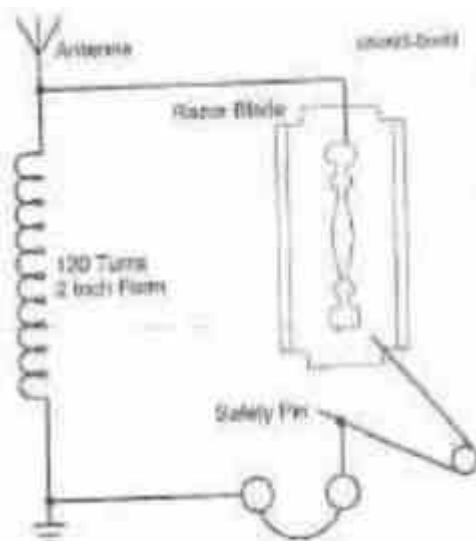


Fig. 1— Three popular circuit diagrams of crystal sets like those featured in this month's column. (A) and (B) coincide with the sets built by KF4YJQ (photo A and C). (C) is a "generic" and easy-to-build version.



The above schematic is from the March 2005 QST column, ``QST Workbench, The Doctor Is In`` (page 46). This diagram demonstrates use of cruder, presumably more readily available materials.

Contributed by Tony Masi N2GVB, edited by K2FRD

---

## CELL PHONE CW

Editor's note: The ham-Scouts who belong to OCARG host a tremendous amount of talent. Among them is Steven Campbell WA2WVU who tinkers a lot with electronics:

Ham radio is a wonderful hobby. We get to play and tinker with all sorts of technology just for FUN. Recently I programmed my cell phone to ring in Morse code when someone calls me. Rather than listen to the traditional telephone ring on my cell phone, the cell phone `rings` by sending CQ CQ CQ de WA2WVU QRZ? in Morse code. This is a great way to know that my phone is ringing and the phones of the ten people standing around me. It is a GREAT way to introduce and start conversations about ham radio to non hams.

My interest in cell phone CW began with an article *BEEP, BEEP! How to Make your Cell Phone Ring in Morse Code* in the K9YA Telegraph Volume 1 Issue 5 May 2004 written by Steve Wolfcale, N9WAT. For more information on the K9YA Telegraph go to <http://www.k9ya.org/>. On the left side of the page there is a box to click for more information.

IMPORTANT

IMPORTANT

IMPORTANT

You will need a DATA CABLE to connect your COMPUTER to your CELL PHONE.

There are many third party companies that make data cables. Just search the web. Make sure you get the data cable for your specific phone.

There are three ways to make your cell phone ring CW. The easiest method is to directly program your phone using the music generator that is installed in your cell phone. Follow the instructions in the next paragraph for creating musical tones. Not all cell phone have this feature so the next method is to purchase third party software for your cell phone. The software I use is Susteen Data Pilot Data Transfer Suite. Data Pilot allows you to download and save to your computer your cell phone contact list, then add or subtract contacts, including home, cell, business, fax, and phone numbers. Saving the contact list is a great feature for backing up your cell phone. Data Pilot has a Ring Tone creator for creating your very own personalized ring tones.

Upon opening the ring tone creator, a piano keyboard is displayed. The key board functions just like a modern musical key board. You can make the key board sound like a guitar, banjo, tuba, trumpet, drum, or any of the numerous musical sounds and instruments that come with the software. I choose the `Recorder` instrument sound for my CW ring. The recorder sounds like Aurora on 20 meters, including slight fading! The length and spacing of the CW tones is created using musical `notes` and musical `rests`. A note is the sound generated by clicking on a piano key. A rest is the time spacing between notes. A 32 note is much shorter in time length than a 4 note. A 32 rest is much shorter in time length than a 4 rest. I discovered the CW character length and spacing by experimenting. The CW speed is determined by the tempo which also is adjustable, from 5 wpm to 20 plus wpm. I did discover there is some type of ratio when setting the code speed. I'm not sure what the ratio is. I just know that the sound of CW is affected by the speed being too fast or too slow. Experiment with the different sounds and speed of CW.

The third method for creating CW ring tones is to go to NAT Radio <http://www.natradioco.com/> and download FREE software, CW Midi. This is a program for creating CW in Midi files. There are several versions of the software available.

My next project using CW ring tones is creating ring tones for specific callers. I'll try to create a ring tone for when my mom calls. CQ de MOM in CW sounds nice. Hummm, now what can the CW ring tone say when my boss calls?

de Steven Campbell WA2WVU

---

## CVARA OFFERS ONE-DAY TECH COURSE 14 MAY

The Chenango Valley Amateur Radio Association in conjunction with the TESIS Comm Group is offering in Norwich,

New York a ONE DAY amateur radio training course with testing done at the end of class.

WHEN: SATURDAY MAY 14th, 2005 8:30 am TO 4:30 PM  
Testing to follow immediately after class ends.

COST: The cost is \$25.00 and includes the study guide and the cost of the examination.

HOW DO I SIGN UP?

Obtain an application form from your supervisor OR e-mail [admin@tasis.org](mailto:admin@tasis.org) OR call 607-674-6024 and leave a voice mail with the address to which the application is to be sent. Follow the instructions in the application form.

de Bob Benton N2RXK

---

## **SCOUTMASTER`S MINUTE**

"Something hidden. Go and find it. Go and look beyond the ranges. Lost and waiting for you. Go!"

- Lord Robert Baden-Powell

Editor`s note: These quotes are available from the following sites:

<http://twc-woodbadge.freesevers.com/bpsays.htm>

[http://en.thinkexist.com/quotes/sir\\_robert\\_baden-powell/](http://en.thinkexist.com/quotes/sir_robert_baden-powell/)

---

The OCARG EAGLE is published monthly on or about the 15th except publication is suspended for the summer months. If you feel you have received this newsletter in error, please send an email to [K2FRD@arrl.net](mailto:K2FRD@arrl.net) .

Subscriptions are free; there is no spam, no ads, no solicitations. Each edition is addressed via Blind CC to reduce the size of recipients' headers and to prevent spammers from receiving a ready-made spam list. Subscribe to: [OCARG EAGLE \(k2frd@arrl.net\)](mailto:k2frd@arrl.net). OCARG's mailing list is NEVER sold nor otherwise made available to spammers. Since the EAGLE is a subscriber contribution newsletter, a message is sent out about the first of each month requesting news.

Permission is hereby granted to copy, republish, and/or quote any part of this newsletter if credit is given to OCARG<sup>a</sup> KZ2BSA and W. Frederick Stevens K2FRD, Publisher.

Further information regarding Otschodela Council Amateur Radio Group may be found at: <http://homepage.mac.com/k2frd/ocarg.htm> .

©2005 by OCARG<sup>a</sup> KZ2BSA, James LeBaron WA2IAX Trustee and W. Frederick Stevens K2FRD, Publisher

---