

THE EAGLE

**BULLETIN OF THE
OTSCHODELA
COUNCIL
AMATEUR
RADIO GROUP**



VOLUME SEVEN NUMBER 5

JANUARY 2007

Scouting hams and hamming Scouters --

Otschodela Council Amateur Radio Group (OCARG) is dedicated to the enhancement of the Scouting program through amateur radio and to the advancement of amateur radio in Scouting. Membership is open to any and all Scouters, amateur radio operators, Scouting and ham clubs and organizations, and all individuals, each with an interest in the Boy Scouts of America, World Of Scouting Movement, Girl Scouts of the USA, World Association of Girl Guides and Girl Scouts, and other youth organizations as they relate to amateur radio. While originally intended for Otschodela Council, Oneonta, New York, OCARG has expanded into a worldwide organization with members in more than thirty states and provinces, and eight nations. There are no subscription dues, no officers, no constitution, no other charges, no commercial advertisements, and no organized meetings. All communications are via email or ham radio. All that's required to subscribe to the *EAGLE* is an interest in ham-Scouting and an email to subscribe@ocarg.org requesting a subscription. OCARG is an FCC-licensed Amateur Radio Club Station with the callsign KZ2BSA. The *EAGLE* in PDF format is best read with the latest version of Adobe Reader v.7 (activates hyperlinks) available at <http://www.adobe.com/products/acrobat/readstep2.html>.

Copies of the *OCARG EAGLE* are sent to many interested persons in addition to OCARG members. If you feel that you have received this newsletter in error or no longer wish to receive it, kindly sent a message so stating to the above address.

The online edition of the *OCARG EAGLE* may be found at: <http://ocarg.org>.

TROOP 88 MERIT BADGE CLASS UPDATE



Troop 88, Chartered to Sacred Heart Catholic church, Sidney, NY (Foothills District, Otschodela Council) has 6 Scouts who have completed all field work toward their Radio merit Badge. These requirements were to carry on a 10 minute QSO, fill out a log entry for it and describe the station, naming the components, their use and licensing required.

LEFT: Here are Paul, Kevin, Vinnie, Isaac and Eric by the main fire in front of Lean-to #2.

RIGHT: This is Shawn on the air with the WA2IAX portable Station in Lean-to #1.



Field work was done on their December campout at the Sidney Youth Commission's Reservation at Cope's Corners, NY. A morning schedule was called up at 11 AM on the Norwich, NY repeater 146.685 with Troop 99 Scout Connor Hornbeck KC2JJY. He was camped with Troop 99 at the other side of the County at the Council's Camp Henderson. Scouts Carl Ayres and Seth Green were guest operators of Conner's and had QSO's with TR88 Scouts. TR99 Scoutmaster Kevin Kiel KB2EZR also represented 99 on the air. Sidney hams and troop friends Gus Mark WA2GRS and AL Mongardi K2EZK spoke with Scouts and accepted traffic for home. Our thanks to trustee K2DAR, Ray, for the use of the machine.

At 2 PM the group held another Schedule, this time on HF SSB on 3901 Mhz.. Again Gus and Al joined the exercise. Scouter Wayne Rogers N2WZQ [Greene, NY], friend Chuck Brumley KB2E [Saranac Lake, NY] and TR 99 committee member son-in-law Greg Michels KC2GXV [Rochester, NY] were the "long haul" contacts for the afternoon.

Final results are that 3 Scouts now have completed the MB. Three more need the field work and 4 need to follow up with some written work.

Troops 88 and 99 would like to thank all the off-site operators who gave of their time, not only to aid the MB work but to help expose our youth to yet another facet of ham radio and technology in general.

de Jim LeBaron WA2IAX

CENTRAL NEW JERSEY COUNCIL RADIO MERIT BADGE DAY

From our correspondent Gary Wilson K2GW in Central New Jersey Council as reported in the ScoutRadio Group, <http://groups.yahoo.com/group/ScoutRadio/> :

We just completed our third annual Boy Scout Merit Badge Day at David Sarnoff Library in Princeton NJ, which was the home of RCA's Engineering division. By sending an e-mail announcement to the three local councils, we had 49 Scouts earn Radio Merit Badge in one day with 10 leaders and 18 hams assisting from the DVRA and the DSRC. Many of those Scouts will now be starting a Tech course next week.

All of the PowerPoint materials and student workbooks are here in Files area of ScoutRadio, so anyone could run such an event in their area.

In our case, we divide our large group into four patrols who rotate between the three one hour classes and the on the air and station visit experience. This lets us handle a large group but keeps each actual class experience intimate.

We also setup two VHF and one HF stations for the on air experience to eliminate the waiting in line. The VHF stations are our hedge against poor propagation. Once the Scouts have logged their on the air contact, another ham leads them on a short foxhunt to fill out that hour.

Hope that gives you some ideas!

73 and Good Scouting!

Gary, K2GW
Radio MB Counselor
CNJ Council

K5BSA GOES FOX HUNTING

From our correspondent Eric Wolf KG4VPV at K5BSA in Texas:

I just wanted to drop you a line and let you know that the gang over at K5BSA in Dallas, Texas have been busy honing our fox hunting skills. Some of our members have built their own hand held directional antennas, and were busy at the last meeting tracking our resident fox, in Woodbadge, and the crew alike, Frank Krizan, KR1ZAN. The exercise was harder than expected, as the crew ran into some terrain features that did some interesting things to the hidden "fox" signal. We also had a presentation on the (relatively) new D-Star radio system, given by one of the youth crew members, that included QSO's with other hams on the Dallas D-Star repeater. This month we plan to further our study in fox hunting, and of course, drinking hot cocoa when we come from the cold! We also have some exciting plans to add WiFi to the K2BSA radio station to serve as another research component, and contesting aide using a homemade 2.4GHz helix antenna and a Linksys WRT54G router with modified firmware. More to come!

de Eric Wolf KG4VPV

MANATEE DIST, CEN FL CNCL CAMPOREE HAM EVENT

From our correspondent in Central Florida Council, Dan Fisher AI4GK:

Spring Camporee for Manatee District, Central Florida Council of Boy Scouts of America will be held March 16 through 18, 2007 in Palm Bay. The theme is Mission imPossible. This will be a Radio Merit Badge Camporee disguised as a communication challenge. There will be plenty of ham radio, to be sure. We plan HF, 2 meter, 70 cm, and VoIP. We plan satellite operations, Amateur TV, phone patch, and APRS. We also will be including other communications modes, including semaphore, and possibly a nighttime Morse code challenge using flashlights. We've also considered using a vehicle horn to send instructions to the Scouts in Morse.

The idea is to let these young men know that there is more to Amateur Radio than a bunch of old grey-haired guys gabbing about boring subjects. We want to portray Amateur Radio as a vibrant, modern communications medium that is as relevant today as iPods, cell phones, and wireless Internet. If we can find someone to come up with one, we'll have a demonstration of things these kids use every day that came from Amateur Radio.

I'm looking for more ideas and also for hams to be available for QSOs on March 17.

Thanks and 73,

Dan Fisher, AI4GK

www.qrz.com/ai4gk

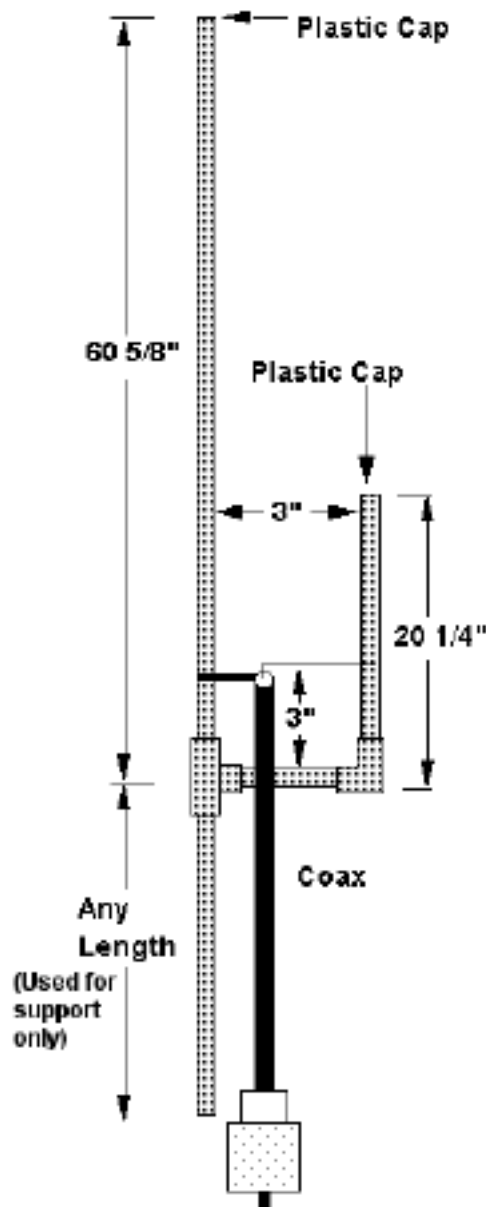
Public Service Chairman, Platinum Coast Amateur Radio Society (www.pcars.org)

Brevard County FL Public Information Officer, ARRL, the national association for Amateur Radio (www.arrl.org)

INEXPENSIVE COPPER 2-METER J-POLE

Always on the lookout for inexpensive ham radio equipment for ham-Scouts and new Technician class licensees, I stumbled on this simple drawing of a 2-meter J-pole antenna made from 1/2-inch copper plumbing pipe. While the drawing was originally drafted by Carl N6VNG, I improved upon it a little to clarify it. Since I have built more than a dozen of these J-pole using salvaged pipe from old Scout Camp latrines, I can safely state the cost is minimal and construction is simple. For new materials fresh out of Home Depot, the cost is about \$15 depending upon today's price of copper. The plastic caps at the top of both antenna are not critical to the operations except to keep rainwater or snow out. The most sensitive part of construction is the coaxial cable stub's connection to the driven (longer) and short elements (the J-pole is actually a vertical dipole) where the SWR is greatly affected by the distance of the coax connection above the joints. An antenna analyzer such as the MFJ-259 is useful to make the adjustments, but if no analyser is available and the transmitter has no built-in SWR meter, give it a try at the 3" distance. If it transmits, fine, but if it blocks out, trying lowering the cable connections 1/2" at a time. The 3" distance shown is only an approximation.

2 Meter Copper J-Pole Antenna



Parts List

- ~85 " or 1/2" Copper Pipe
- 1 ea. 1/2" Copper T fitting
- 1 ea. 1/2" Copper Elbow
- 2 ea. 1/2" Plastic or Copper Caps
- 50 Ohm Coax (RG-58) and Connector
- Braid or copper strap.
- 2 ea. 1/2" hose Clamp

Tools:

- Hack Saw w/ Fine Blade or tube cutter
- Fine Sand Paper
- Solder
- Flux Paste
- Torch
- RTV

Construction:

1. Cut Copper Pipe to Length allowing for the length of fittings.
2. Sand Paper Ends.
3. Solder With Torch and FLUX.
4. Solder Shield and Tape Coax to Larger piece.
5. Use copper Strap or Braid to connect center lead.
- 5A. Sand pipe where coax ends will make contact.
6. Adjust feed point for minimum SWR and clamp in place.
7. Seal Coax with RTV

Drawing Not to Scale

Carl N6VNG
Amended by Fred K2FRD

This drawing may also be found at: <http://homepage.mac.com/k2frd/COPPER2mJpole.pdf> .

TR 99 STARTS ANOTHER TECH CLASS

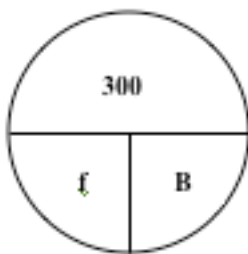


Jim LeBaron WA2IAX, Trustee of KZ2BSA, Silver Beaver Awardee, and Committee Chairman and former Scoutmaster of Troop 99, Sidney, NY (Foothills District, Otschodela Council, Oneonta, NY) may have Elmered more Scouts into ham radio than any other ham-Scouter. At least, I'm making this claim and would like to hear counterclaims. He has run Tech classes for Scouts, their parents, and adult Scouters for many years and continues to contribute to both the Scouting movement and ham

radio in Scouting:

From Jim WA2IAX:

Scout Troop 99, Sidney NY held its first current Tech Class for Amateur Radio Licenses this Thursday Jan 11 at the Congregational Church in Sidney. Candidates are L-R: Ron Maxwell, Dan Green, Ethan Green, Seth Green, Jeremy Maxwell and Carl Ayres. The group is studying the ARRL Q&A book with short code practice to break up the hour-long class. Nine more classes are scheduled through March 17. It is most helpful to have dads also working on their license along with their Scout sons. The first session dealt with the T1 section. One helpful gimmick involved a "freq/Band circle" similar to the Ohm's Law circle ie:



Where 300 is a constant and "f" is freq in Mhz and "B" is the "Band" in Mhz. Questions T1C04 through T1C08 may be solved using this trick. As with the Ohm's law circle, one covers up the unknown variable with his finger and the visible fraction solves the problem. i.e. for freq., cover "f" and solve $300/B$.

Good luck, guys.

de WA2IAX

NEW HAMPSHIRE SSC 100TH ANNIVERSARY AWARDS

Borrowed shamelessly from the ScoutRadio Group:

To celebrate the 100th anniversary of Scouting, the New Hampshire Scouting Service Club will be offering special awards to encourage Scouts to get on the air. The following awards will be offered to the following Scout levels:

WASR - For Cub Scouts who work one Scout Station from each of the Regions of the Boy Scouts of America.

WASS - For Webelos and Boy Scouts who work one Scout Station from each State in the USA.

DXSC - For Boy Scouts, Venturers, and Scouters who work one Scout Station from 25 Countries.

DX Friendship Club - For making contact with Scouts from 50 or more Countries. (The award will list the total amount applied for.)

The awards will be collectable certificates which resemble the Scout Certificates offered to Scouts many years ago.

Younger Scouts who meet the more difficult requirements are most definitely invited to apply for the more advanced awards.

Scouts from any country will be encouraged to participate, however postage will vary dependent on the country of the applicant.

While the United States does consider "Boy Scouting" a separate program from "Girl Scouting" and the structure of the awards has been set up under the Boy Scouts of America structure, these awards are open to any Scout, Guide, Sea Scout, or Venturer of either gender. As not all countries use the same terminology for their Scouting programs, please consider the following guidelines. Any registered Scout or Guide under 10 years old would qualify for the Cub Scout level. Registered Scouts and Guides under 18 years old for the Boy Scout level. Venturing level would be open to Scouts, Guides, Sea Scouts and Venturers under 21 years old. Scouters would be considered registered adult leaders who are over the age of 21.

Please begin keeping your log entries now. Any Scouting contacts after January 1st, 2007 qualify. The application form will be posted up on the NHSSC website in October to coincide with the 50th annual Jamboree On The Air.

Please visit our website at <http://www.nhradio.org/scouting> for more information.

FORUM: THE ABANDONED NEW TECH

Only one message came in response to the question raised in the December 2006 question, "What can we do to keep interest alive among newly licensed hams, particularly ham-Scouts when it appears that they have been abandoned immediately following the exam?"

--From Tim McDonough N9PUZ: Here in Springfield our Fall Technician Class recently finished up. As follow on activities several Hams have had groups over to their homes on evenings when local VHF nets occur. The new Hams get to see several different styles of ham shacks and they all take turns checking in to the nets where net control has them introduce themselves.

Another follow up activity is planned for January 6th. The radio club is having a "no host" Technician Class Reunion on a Saturday morning at an eatery that has a breakfast buffet. All regular club members and local hams will be invited as well.

This past class was a huge success. 18 people passed the exam and have their call signs. About half are already asking about a General course with theory and CW.

--My own experiences have demonstrated the greatest barrier to continued interest in ham radio is a lack of equipment. While in the past, I have been able to loan new Techs some of my extra equipment because I usually had only one or two students for each session, I do not have an unlimited inventory of 2-meter rigs to loan everyone in a larger class. I have also found that new Techs have no idea what type of rigs to purchase nor where to obtain them. For my current class with four who successfully earned their Technician licenses on 13 January, With their permission, I am shopping online for two of them (two have already obtained 2m transceivers). My best source for relatively inexpensive equipment is eBay (where else?). I have found two used rigs which look good and on which I will be placing snipes. With a healthy PayPal balance, I will be able to secure rigs for them within a week. I have already passed out the copper pipe J-pole drawing (elsewhere in this EAGLE) and with a little effort will be able to get the new techs on the air in short order.

de K2FRD

AND NOW, THE FUNNIES

I stumbled onto the following cartoon on a ham radio website, now forgotten. For those old (like me) folk who might remember, Jimmy Hatlo drew this cartoon from the 1940s until his death in 1963. I had to do a little detective work to track down the date of publication. Because it's a color comic, it's from a Sunday comics section. Its date 3 August narrowed the exact date down to 1952 or 1958 (the dates when 3 August was on a Sunday) - the hairstyles and clothing are wrong for earlier dates. My guess is 1958 because "it looks right". The cartoon's subject is also still applicable to the 21st century where hams are still blamed for all sorts of RFI-induced happenings up to and including the West Nile Virus and the latest shipwreck.

de K2FRD



SHORTS

TROOP 99'S NEW WEBSITE

Dave Leidy, former Committee Chairman and current Foothills District Chairman, Otschodela Council is pleased to announce Troop 99's new website which also features a Radio Group section: <http://www.troop99sidney.com> .

de David Leidy

ALLEN PITTS W1AGP, ARRL MEDIA & PUBLIC RELATIONS

Allen Pitts W1AGP, ARRL Media and Public Relations Manager suggests a visit to the ARRL Public Information Office website <http://www.arrl.org/pio> for helpful information for anyone involved in media relations such as a Public Information Officer or Public Information Coordinator. Of particular interest are back issues of **Contact!**, the newsletter of ARRL PIOs <http://www.arrl.org/pio/contact/#current> . This information is of especial use for ham-Scoutmasters and many of the rest of us ham-Scouters who might be a little weak when writing news releases or making contact with the media to cover ham-Scouting events.

Importantly, there is plenty of information on the ARRL's very successful **HELLO** program on the main page. Despite the ending of the program, the materials are very useful for ham radio promotion.

WATCHING FOR A NEW LICENSE? HERE'S THE BEST WAY

The following URL takes one directly to the FCC's license lists. If one knows a new or upgraded license is due to be issued, one may check in frequently at this site and beat the standard license databases by anywhere from eight to 24 hours: <http://gullfoss2.fcc.gov/cgi-bin/ws.exe/genmen/licensee.htm>

Enter: last name; Scroll down to `HA` (Amateur Radio); NO `Wildcard`

Then (next page): click on ULS Database. Look for name(s), new call sign.

Canadian new licenses are searched in a different manner since specific call signs may be requested upon examination. Use the Royal Amateurs of Canada homepage <http://www.rac.ca/> and <http://www.rac.ca/acl/> (search by Province).

UPCOMING VE SESSIONS

Knowledge of dates and locations of VE sessions is important to those ham-Scouts and Scouters who wish to earn their amateur radio license or upgrade their present license. For persons in the United States, this information is available at <http://www2.arrl.org/arrivec/examsearch.phtml> or at the W5YI site (often not listed in ARRL Exam Search): http://www.w5yi.org/exam_locations_ama.php .

Canadians wishing to obtain their ham license need to find an Accredited Examiner. These may be found at: <http://www.rac.ca/regulatory/examiner.htm> . Further licensing and non-Canadian operating information is at: <http://www.rac.ca/regulatory/arast.htm>

SCOUTMASTER'S MINUTE

"A friend may well be reckoned the masterpiece of Nature."

- Ralph Waldo Emerson (1803-1882), *Compensation*

=====

The OCARG EAGLE is published monthly on or about the 15th except publication is suspended for the summer months. If you feel you have received this newsletter in error, please send an email to K2FRD@ocarg.org .

Subscriptions are free; there is no spam, no ads, no solicitations. Each edition is addressed via Blind CC to reduce the size of recipients' headers and to prevent spammers from receiving a ready-made spam list. Subscribe to: subscribe@ocarg.org . OCARG's mailing list is NEVER sold nor otherwise made available to spammers nor anyone else. Since the EAGLE is a subscriber contribution newsletter, a message is sent out about the first of each month requesting news.

Permission is hereby granted to copy, republish, and/or quote any part of this newsletter if credit is given to OCARG™ KZ2BSA and W. Frederick Stevens K2FRD, Editor-Publisher.

Further information regarding Otschodela Council Amateur Radio Group may be found at: <http://ocarg.org> .

©2007 by OCARG™ KZ2BSA, James LeBaron WA2IAX Trustee and W. Frederick Stevens K2FRD, Editor-Publisher