

THE EAGLE

**BULLETIN OF THE
OTSCHODELA
COUNCIL
AMATEUR
RADIO GROUP**



VOLUME SEVEN NUMBER 6

FEBRUARY 2007

Scouting hams and hamming Scouters --

Otschodela Council Amateur Radio Group (OCARG) is dedicated to the enhancement of the Scouting program through amateur radio and to the advancement of amateur radio in Scouting. Membership is open to any and all Scouters, amateur radio operators, Scouting and ham clubs and organizations, and all individuals, each with an interest in the Boy Scouts of America, World Of Scouting Movement, Girl Scouts of the USA, World Association of Girl Guides and Girl Scouts, and other youth organizations as they relate to amateur radio. While originally intended for Otschodela Council, Oneonta, New York, OCARG has expanded into a worldwide organization with members in more than thirty states and provinces, and eight nations. There are no subscription dues, no officers, no constitution, no other charges, no commercial advertisements, and no organized meetings. All communications are via email or ham radio. All that's required to subscribe to the EAGLE is an interest in ham-Scouting and an email to subscribe@ocarg.org requesting a subscription. OCARG is an FCC-licensed Amateur Radio Club Station with the callsign KZ2BSA. The EAGLE in PDF format is best read with the latest version of Adobe Reader v.7 (activates hyperlinks) available at <http://www.adobe.com/products/acrobat/readstep2.html>.

Copies of the OCARG EAGLE are sent to many interested persons in addition to OCARG members. If you feel that you have received this newsletter in error or no longer wish to receive it, kindly sent a message so stating to the above address.

The online edition of the OCARG EAGLE may be found at: <http://ocarg.org>.

JOTA 2006 REPORT CLINTON VALLEY CNCL, MICHIGAN

There is no reason why JOTA information cannot be published at any time of the year. JOTA is the singlemost awareness raiser for ham radio in Scouting and is the largest and most important ham-Scouting event in the world. Keeping JOTA in the forefront of our minds keeps the spirit alive! Frank Maynard NF8M submits this report. The measure of Frank's commitment to Scouting and ham-Scouting may be found in his signature: "CC, Troop 407; CR, Pack 54, Novi, Michigan; Ottawa Dist. Cub Training Chair & Cub RT Staff, Clinton Valley Council Trustee, WB8BSA ...and a good old Bobwhite too! (C-23-04)":

JOTA 2006
Station K2BSA/8, Clinton Township, Michigan
Control Operator Allan Koch, KA8JJN

Our districts didn't see fit to have a Camporee on this weekend this year, so we spent the previous three months spreading the word at roundtables. We decided to hold the JOTA event at a township park central to the Macomb District of Clinton Valley Council, which serves the northern portion of the metropolitan Detroit area. We had the use of two pavilions, electricity and a lot of trees. We started setup about 9 am putting up two dipoles and two verticals.



(It was cold and misting rain, perfect for working on antennas -- we were only missing the snow!) We had invited hams from various locations and organizations. Folks from the L'Anse Creuse ARC, Utica-Shelby Emergency Club Association and SATERN came to operate. The SATERN group brought a tower on wheels which they put up to the first height and attached the SATERN banner. This was a great way to publicize our location along with the JOTA signs. They also brought along their Emergency Communications Van.

LEFT: Chuck Heil, Jr., WD8JZI, Cubmaster of Pack 239, Novi, Mich., listens with Charles Heil and Mike Halvarson to Allan Koch, KA8JJN, at one of the K2BSA/8 Jamboree on the Air stations. Charles and Mike are both Webelos scouts from Pack 239.

We had 15 hams show up for JOTA. We

managed to get four radios on the air: 10/15, 20, 40 and 80 meters. Antennas included an inverted V for 80, a dipole for 40, vertical for 20, and an Outbacker mobile antenna mounted on a playground jungle gym for multiple bands. We all thought we were having a trial run for Field Day 2007! The SATERN van was our 80 meter station running completely emergency power. The visiting scouts liked to sit in the van operating. I guess the weather was nicer in that van!



RIGHT: Drake Gasior, Life Scout from Troop 157, Clinton Township, Mich., and Frank Maynard, NF8M, work a station on 20 meters. Frank is Committee Chair of Troop 407 in Novi, Mich., and trustee of WB8BSA.



Around 10 am our first group of scouts arrived. These boys from Pack 358 enjoyed getting on the radio. We ended up with 12 Cub Scouts, two Boy Scouts and two Girl Scouts. All had a great time. The two Girl Scouts were hams as were their parents. The girls had a ball talking about and watching a demo on Slow Scan ATV. One of the hams was the trustee of the council's amateur radio club station. He demonstrated QRP to several of the Cub Scouts.

LEFT: Dave Edenfield, W8RIT, with Girl Scouts Dorit Ann, KD0RIT, and Birte Ann, KB1RTE, viewing SSTV. The girls' OM is noted contester Ulli, KK8I.

As the day progressed the weather stayed miserable with the cold and misty rain. The park had cooking grills which we "converted" into small fires with wood that was lying around. That was our sole heat for the day. But being scouts and scouters, we didn't mind a bit.

All the scouts had a great time. One Cub Scout in particular would have talked the whole day (his dad was a ham). The most interesting QSO was with Bob, running a radio from the USS RENQUIN, a WWII sub located at Pittsburgh, PA. Bob was 90 years old and very interesting.

We ended up with 44 contacts in the US and four contacts in other countries.

RIGHT: John Tackle, KC8DTG, putting up Outback Antenna on park playground with Dave Edenfield, W8RIT, watching.

Some of the hams taking part included WD8JZI, W8RIT, NF8M, KA8JJN, KC8DTG, KA8LGI, N8TMQ, N8QOQ, K8MDV and K8AMR.



Writeup by Allan Koch, KA8JJN and Frank Maynard, NF8M

VI3JAM AUSTRALIAN JAMBOREE A RUNAWAY SUCCESS

The 21st Australian Jamboree in Enmore, Victoria, Australia was held on 2-13 January 2007. Paul Joosten PA5UL sends this report:

I had the pleasure of working VI3JAM several times on Echolink, along with a number of other Ozzie radiohams. The best QSO was with VI3JAM and a young Boy Scout, Tim (13), from Scout Troop 359, 1st Diamond Creek. Without any help he handled a complicated pileup of some 5 hams from across the world magnificently, not in the least hampered by the fact he couldn't see the extra information online Echolink users can see on their screen. This was due to the fact they were working through a radio link to an improvised Echolink node in the Internet Cafe onsite. We thoroughly enjoyed working the Australian Jamboree and look forward to similar experiences from the World Jamboree in the UK this Summer.

The Scouting 100 Award (see <http://www.scouting100award.org> for more information) is causing a lot of extra traffic, both on the bands and on Echolink. Many RadioScouts are looking for points towards this great award. I had the pleasure of receiving the Silver Award already, a brilliant piece of artwork with great radioscout pictures. This is certainly value for money as the Award costs only GBP3,50, (some USD6,-) postage paid to anywhere in the world. The first Gold Award went to Erwin PA3EFR and there will be many more to follow. As I do not have any antennas on my house I cannot get onto HF. Fortunately, also Echolink QSO's count towards the award and so far I gathered 70 points on Echolink only. Anyone wishing an Echolink Sched please email me! Adding my call to your Alarms will automatically notify you when I'm QRV. See you on Echolink!



ARISS contact with VI3JAM a Success!

Right on time, the voice of Astronaut Suni Williams KD5PLB on the International Space Station was heard loud and clear and the question and answer session began - everyone listened intently.

A crowd had gathered outside the VI3JAM radio shack to listen on loud speakers, while 200 were inside a tent to watch the proceedings on a large video screen.

LEFT: Scouts at the Jamboree listen to the ARISS contact with VI3JAM. Photo by Rosa Vendenpaa.

Many more through the Jamboree camp, at Elmore in north-central Victoria (VK3) being attended by 13,000 scouts, tuned into their local FM radio station to hear what was happening. Worldwide the ARISS contact went live on IRLP and Echolink.

Audio from the contact is available here: <http://www.vi3jam.com/ariss/ARISS-VI3JAM.wma>.

More info can be found on <http://www.getinthegame.com.au/> and the daily newsletters on http://www.getinthegame.com.au/content_new_kevin.htm. A great story on the ARISS contact can be found on page three of the Jan. 8 issue, <http://www.getinthegame.com.au/kevin/kevin08.pdf>.

73 de Paul PA5UL
email: pa5ul (at) amsat.org

COPPER CACTUS CAPTURES CARRIERS FOR K2BSA

The article we published in last month's EAGLE on 2-meter copper pipe J-pole design generated some interest and comments among readers. Seems there's quite a few variations on construction and operation of the basic J-pole design. We knew that and are pleased to present these variations as they come it. Eric Wolf KG4VPV sent us these pictures and comments in an email. Another ham-Scouter will be sending another design this spring when all the snow melts in NYS.



Speaking of that copper antenna (we call it the copper cactus down here in Texas), I just built one for K2BSA. The dual band performance is fantastic.

The antenna pictured is actually the one I use at home, but I have an identical one packed up for my next trip to the K2BSA station on Saturday. We constructed these as a Crew project a few years ago. This antenna has been outside off and on for the better part of 2 years, and it still looks like a shiny new penny. The secret is to rattle can it with some clear lacquer and let it dry hard for a few days before hanging it out. It's got some scratches on it (from some barbed wire it was rubbing up against at camp, was there temporarily), but the finish is holding up well. The other picture is my feedpoint technique using pigtails soldered directly to the coax, and bolted to the copper. The only reason I don't use hose clamps is because I have lacquer finished it, and I wouldn't get a good connection, but it would also somewhat affect the SWR analyzer readings I got. The conclusion I came up with is that it acts kind of like an alpha matching stub in that regard. Let me know what you think!

I modified ours to not use the soldered braising rod they show with the SO-239. We drill at 3.75" above the ground plane, and attach the feed line via pigtails of equal length with 1/4-20 bolt hardware. So far, I have not seen SWR problem with this method. Online reference: <http://www.eham.net/articles/2418>

de Eric Wolf KG4VPV

EDITOR'S NOTE: Since most of the copper pipe J-poles I've constructed are made from salvaged Scout Camp latrine pipes with 50 years of paint and corrosion, I didn't bother fancying them up at all. No doubt, making them from new copper pipe material then lacquering them gives them a presentable appearance. Thanks, Eric! de K2FRD

LOSE-PROOF AND THUMBS-PROOF YOUR SMA ADAPTOR

Jim LeBaron WA2IAX continues to tinker on and share with us his little tricks. This one is particularly apropos for me since the new Techs I Elmered last month are shopping for handhelds and are asking me all sorts of technical questions such as "What's a BNC?" and "Can a regular antenna connect onto a handheld to replace that silly duckie thingie?" Jim's report:



I might know the guy who developed the SMA connector. We still speak, however. I'm just sour because all my other stuff has BNC connectors or UHF'ies and I have to use adapters. One price of miniaturization is the ability I have for losing small stuff.

Another is becoming all thumbs and not being able to deftly screw them on and off especially in the cold.

I haven't lost my SMA-BNC one with my TH-F6 in a long time because of the "red thing". I cut out a piece of plastic from an old bottle of motor oil and clamped it

between 2 pieces of wood and drilled a 5/16 hole in it. Then punched a 1/8 hole in it near the 5/16 one. Cut out a nice tear-drop shape around the holes and pushed the big hole over the SMA coupling nut. The yellow string went through the 1/8 hole and was tied around the hand-strap.



But then it was hard to get fingers to the coupling nut to screw it on and off for the times that I needed to use the SMA-connected Rubber Duck! Well, it always WAS a tough job. The next solution was to machine a sleeve out of nylon bar stock to press over the coupling nut. The outside diameter is about 5/8 and the through hole was drilled with a 11/32 drill. The outside was "knurled" by placing a threading tool bit on its side and broaching some slots in the outside surface. Could be done with the corner of a fine file, though. It was cut off at about long. The 11/32 hole pushed over the hex of the coupling nut quite easily.

I wish it were easy to get nylon bar stock. Found this in the company junk bin. Plexiglas or any other soft plastic rod would work. Wish someone could think of a way to build it out of something more available. Stack of glued-up poker chips?

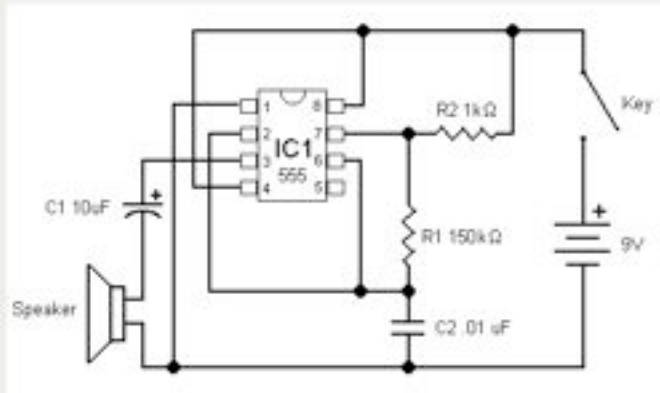
de Jim LeBaron WA2IAX

ALTOIDS TIN CODE OSCILLATOR



Eric Wolf KG4VPV also appears to be a tinkerer of some note. His Venturing Crew 73 for which he is Advisor constructed these code oscillators last month and passed along the information. He submitted it to the Hacked Gadgets Forum where photos, circuitry, and schematics appear.

It's just a 555 timer running in Astable operation:



The values have been changed as follows:

- R1 is 3.3K
- R2 is 15 K
- C2 is 4.7 uF
- C1 is 4.7 uF

<http://forum.hackedgadgets.com/viewtopic.php?t=976> A photo of the finished product is reproduced here as is the schematic. Eric stated that he had some heat build-up in some of the components, especially the potentiometer. As follow-up, he now reports: I neglected to remember that the morse code keyer was just the circuit "on" switch so to speak, which was passing + on to the altoids tin, shorting to ground through the speaker connector. I remedied it by drilling the keyer jack a little bigger, and surrounding the outer jack shell with a little hot glue effectively insulated it. Now it runs much cooler! Also, a quick goggle for "Altoids Tin Morse Code Oscillator" shows that the idea has spread like wildfire.

<http://hackedgadgets.com/2007/01/15/altoids-can-morse-code-oscillator/>

SHORTS

K2GW'S RADIO MERIT BADGE SITE FEATURED BY ARRL

Gary Wilson K2GW developed a Radio Merit Badge website after he noticed the old AA6J site has been unavailable for some time. Recently, his site was featured in the ARRL News site:

<http://www.arrl.org/news/features/2007/01/26/1/?nc=1> .

His new Radio MB site is: <http://k2gw.tripod.com/radiomeritbadge/> . A visit by any ham-Scouter who teaches or plans to teach Radio MB is recommended.

ALLEN PITTS W1AGP, ARRL MEDIA & PUBLIC RELATIONS

Allen suggests a visit to the Emergency Radio homepage <http://www.emergency-radio.org/> to obtain a sense of the significance of amateur radio during emergencies and disasters. As Scouters, we are always concerned with living up to our Motto, "Be prepared" and as ham radio operators, we likewise attempt to be prepared for the unexpected.

he also recommends a visit to the ARRL's Public Information Office page this month where the "30-day Blitz" from 24 January to 23 February is on-going in an effort to spread the news of the removal of the code requirement for all ham radio licenses: <http://www.arrl.org/pio/> .

A monthly visit to the ARRL Public Information Office website <http://www.arrl.org/pio> is recommended for helpful information for anyone involved in media relations such as a Public Information Officer or Public Information Coordinator or for current events within ARRL and amateur radio. Of particular interest are back issues of **Contact!**, the newsletter of ARRL PIOs <http://www.arrl.org/pio/contact/#current> . This information is of especial use for ham-Scoutmasters and many of the rest of us ham-Scouters who might be a little weak when writing news releases or making contact with the media to cover ham-Scouting events.



WATCHING FOR A NEW LICENSE? HERE'S THE BEST WAY

The following URL takes one directly to the FCC's license lists. If one knows a new or upgraded license is due to be issued, one may check in frequently at this site and beat the standard license databases by anywhere from eight to 24 hours: <http://gullfoss2.fcc.gov/cgi-bin/ws.exe/genmen/licensee.htm>

Enter: last name; Scroll down to `HA` (Amateur Radio); NO `Wildcard`

Then (next page): click on ULS Database. Look for name(s), new callsign.

Canadian new licenses are searched in a different manner since specific callsigns may be requested upon examination. Use the Royal Amateurs of Canada homepage <http://www.rac.ca/> and <http://www.rac.ca/ac/> (search by Province).

UPCOMING VE SESSIONS

Knowledge of dates and locations of VE sessions is important to those ham-Scouts and Scouters who wish to earn their amateur radio license or upgrade their present license. For persons in the United States, this information is available at <http://www2.arrl.org/arrlvec/examsearch.phtml> or at the W5YI site (often not listed in ARRL Exam Search): http://www.w5yi.org/exam_locations_ama.php .

Canadians wishing to obtain their ham license need to find an Accredited Examiner. These may be found at: <http://www.rac.ca/regulatory/examiner.htm> . Further licensing and non-Canadian operating information is at: <http://www.rac.ca/regulatory/arast.htm>

SCOUTMASTER'S MINUTE

"The highest possible stage in moral culture is when we recognize that we ought to control our thoughts."

- Charles Darwin (1809-1882), *The Descent of Man, Chap 4*

=====
=====

The OCARG EAGLE is published monthly on or about the 15th except publication is suspended for the summer months. If you feel you have received this newsletter in error, please send an email to K2FRD@ocarg.org . Subscriptions are free; there is no spam, no ads, no solicitations. Each edition is addressed via Blind CC to reduce the size of recipients' headers and to prevent spammers from receiving a ready-made spam list. Subscribe to: subscribe@ocarg.org . OCARG's mailing list is NEVER sold nor otherwise made available to spammers nor anyone else. Since the EAGLE is a subscriber contribution newsletter, a message is sent out about the first of each month requesting news.

Permission is hereby granted to copy, republish, and/or quote any part of this newsletter if credit is given to OCARG™ KZ2BSA and W. Frederick Stevens K2FRD, Editor-Publisher.

Further information regarding Otschodela Council Amateur Radio Group may be found at: <http://ocarg.org> .

©2007 by OCARG™ KZ2BSA, James LeBaron WA2IAX Trustee and W. Frederick Stevens K2FRD, Editor-Publisher