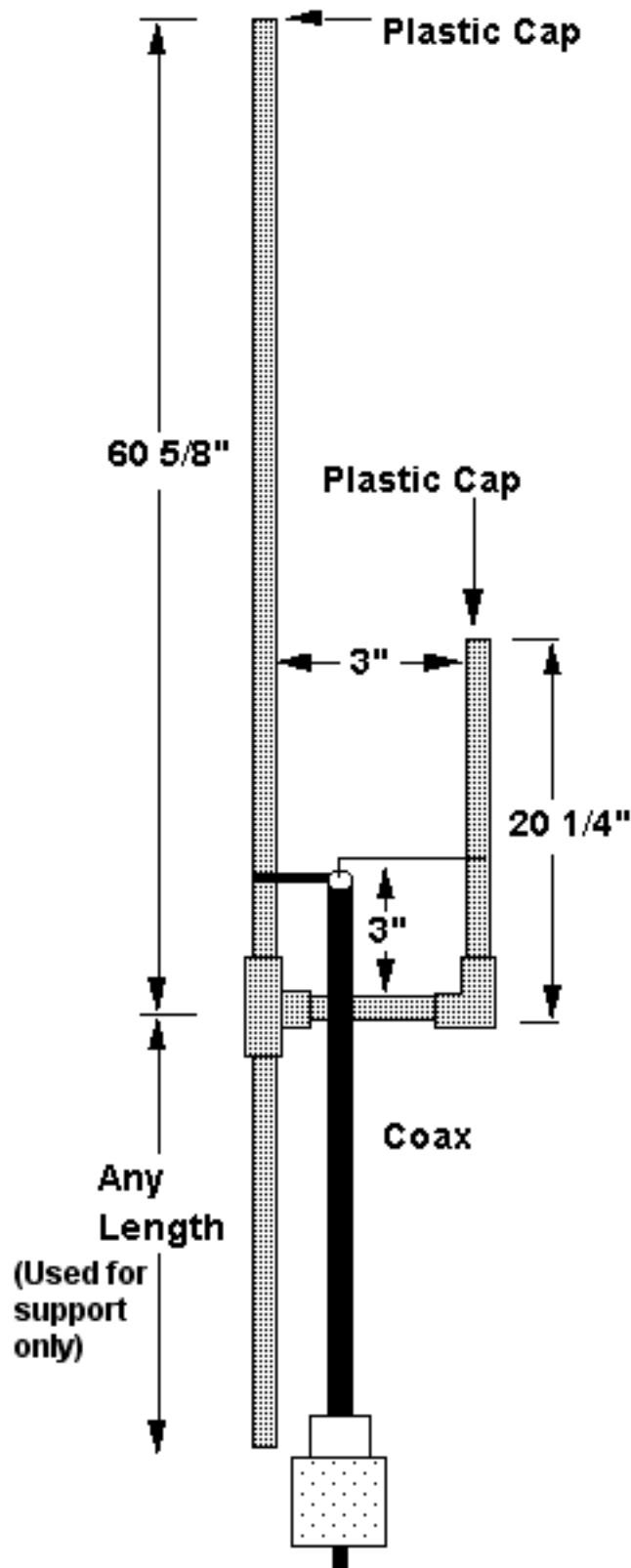


2 Meter Copper J-Pole Antenna



Drawing Not to Scale

Parts List

- ~85 " of 1/2" Copper Pipe
- 1 ea. 1/2" Copper T fitting
- 1 ea. 1/2" Copper Elbow
- 2 ea. 1/2" Plastic or Copper Caps
- 50 Ohm Coax (RG-58) and Connector
- Braid or copper strap.
- 2 ea. 1/2" hose Clamp

Tools:

- Hack Saw w/ Fine Blade or tube cutter
- Fine Sand Paper
- Solder
- Flux Paste
- Torch
- RTV

Construction:

1. Cut Copper Pipe to Length allowing for the length of fittings.
2. Sand Paper Ends.
3. Solder With Torch and FLUX.
4. Solder Shield and Tape Coax to Larger piece.
5. Use copper Strap or Braid to connect center lead.
- 5A. Sand pipe where coax ends will make contact.
6. Adjust feed point for minimum SWR and clamp in place.
7. Seal Coax with RTV

Carl N6VNG
Amended by Fred K2FRD