

# FRAME & BUMPERS

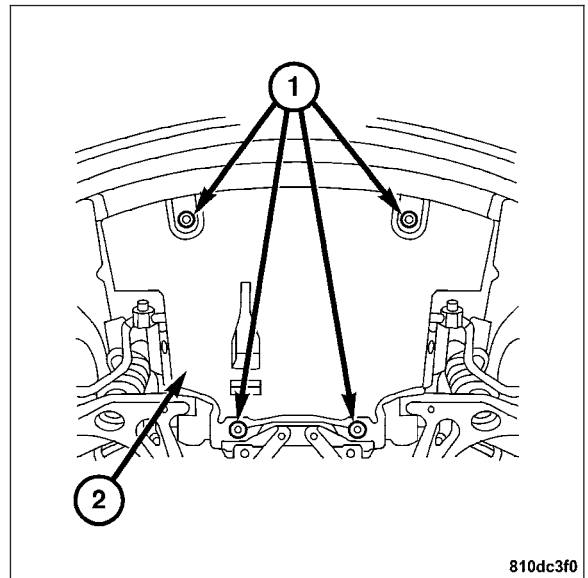
## TABLE OF CONTENTS

	page		page
<b>FRONT FASCIA</b>		<b>INSTALLATION</b> .....	8
REMOVAL .....	1	<b>FRAME</b>	
INSTALLATION .....	4	SPECIFICATIONS - FRAME DIMENSIONS .....	9
<b>REAR FASCIA</b>			
REMOVAL .....	7		

### FRONT FASCIA

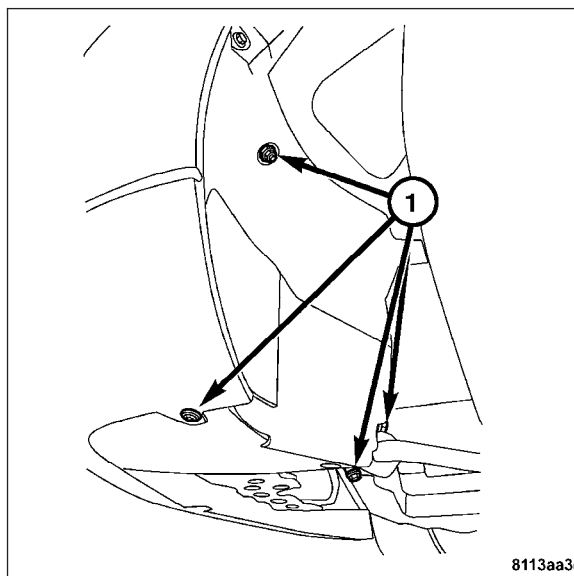
#### REMOVAL

1. Raise and support the vehicle.
2. Remove the lower splash shield retaining screws (1) and the lower splash shield (2).

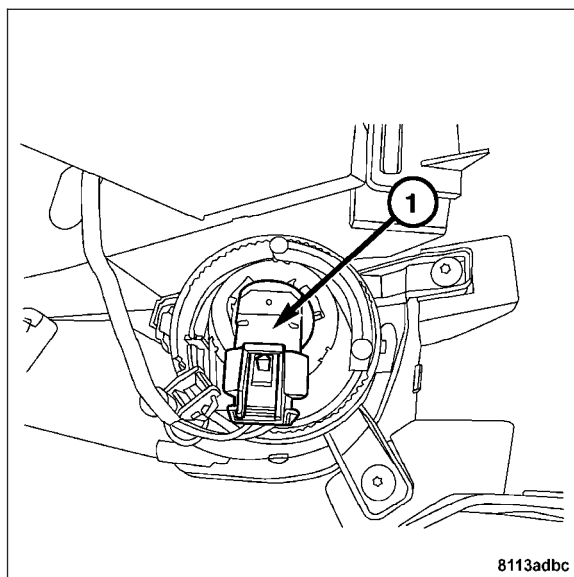


**Note:** Left side shown, right side similar.

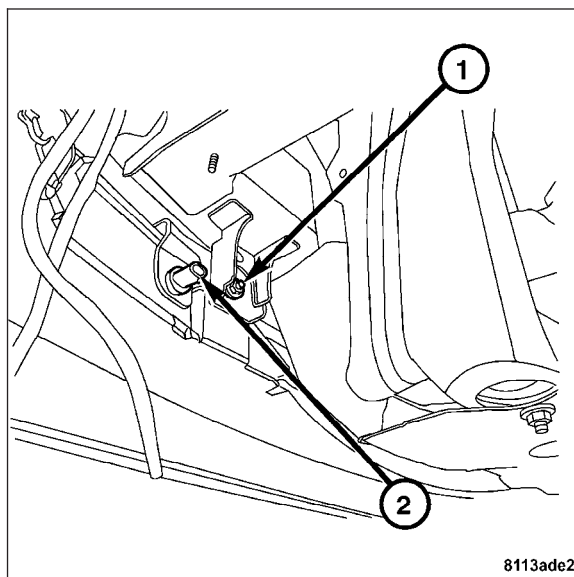
3. Remove the left and right front fascia access panel retaining nuts and screws (1).
4. Remove access panels from the vehicle.



5. Disconnect the fog lamp wire harness connectors (1).

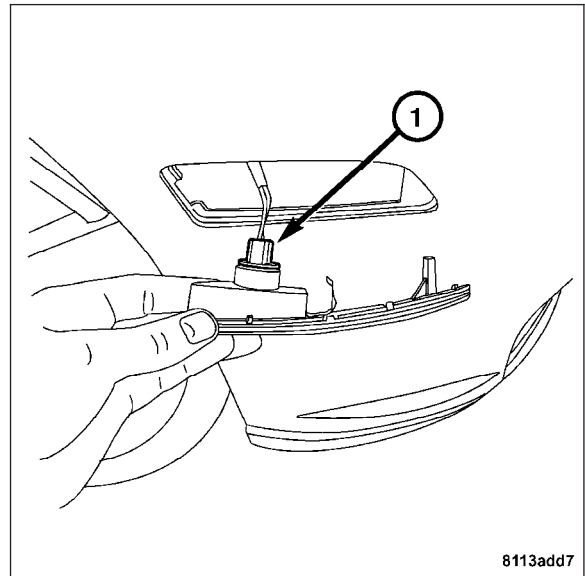


6. Disconnect the ambient air temperature sensor wire harness connector (2).

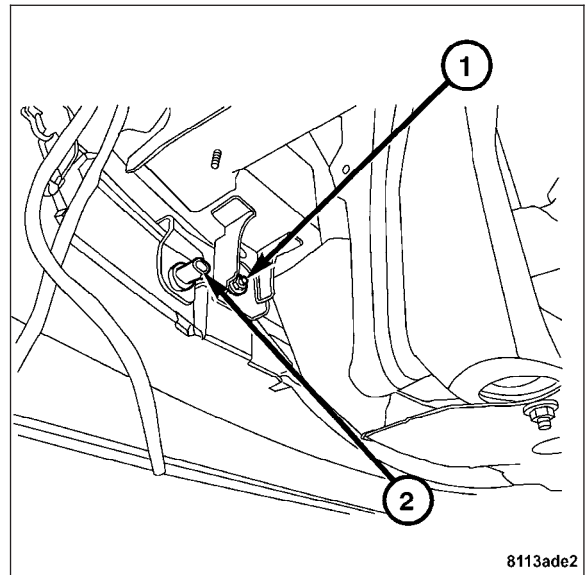


**Note:** The front marker lamp harness connector can be reached through the access hole in the inner fender well.

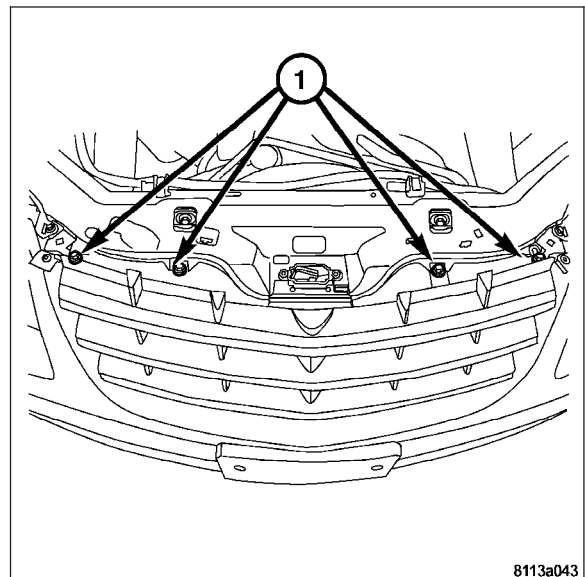
7. Disconnect the front marker lamp wire harness connectors (1).



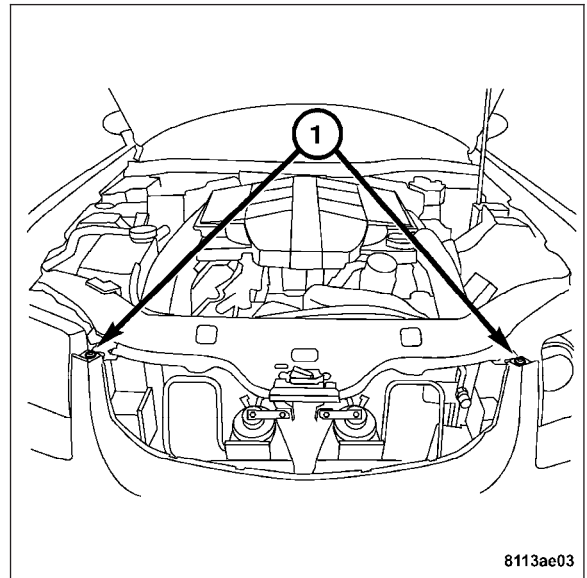
8. Remove the lower fascia retaining nuts (1).  
 9. Remove the left and right front fender to fascia retaining nuts and bolts. **Refer to Page 23-112.**  
 10. Lower the vehicle.



11. Remove the front grille assembly retaining bolts (1).

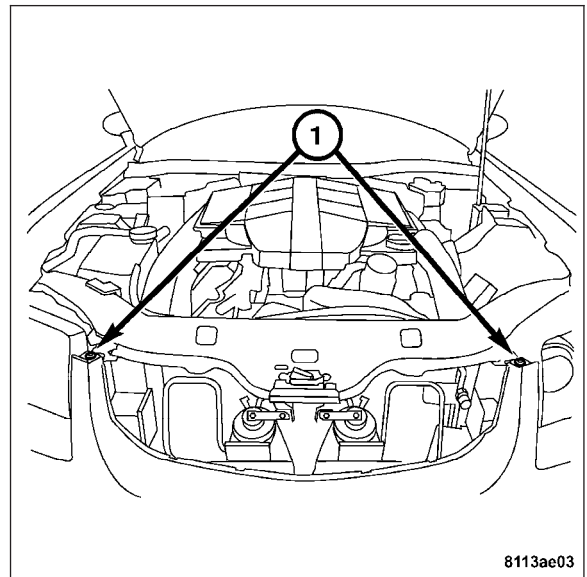


12. Remove the upper fascia retaining bolts (1).
13. Remove the fascia from the vehicle.

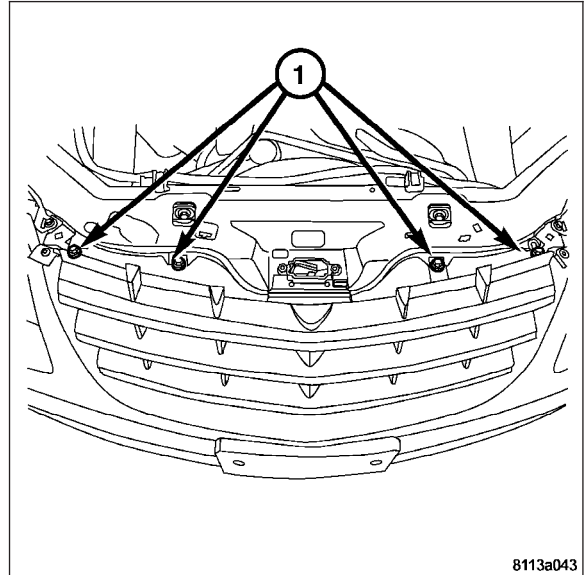


## INSTALLATION

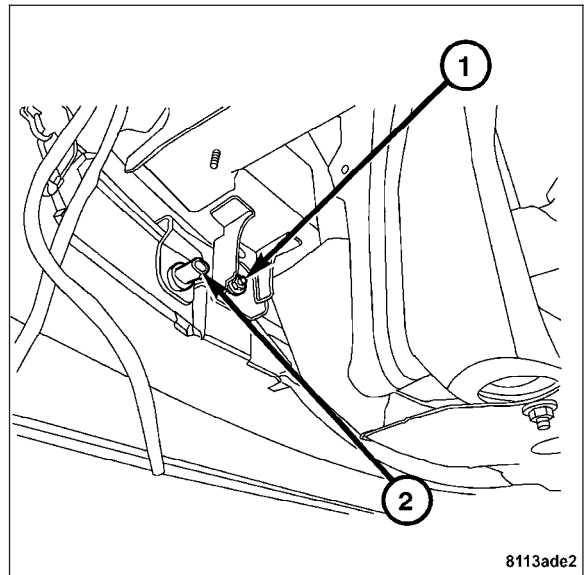
1. Position the fascia on the vehicle and install the upper fascia retaining bolts (1).



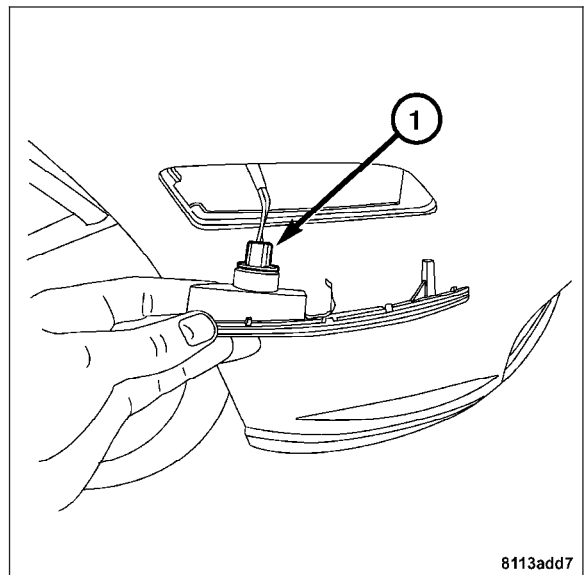
2. Position the front grille assembly and install the retaining bolts (1).
3. Raise and support the vehicle.
4. Install the left and right front fender to fascia retaining nuts and bolts. **Refer to Page 23-113.**



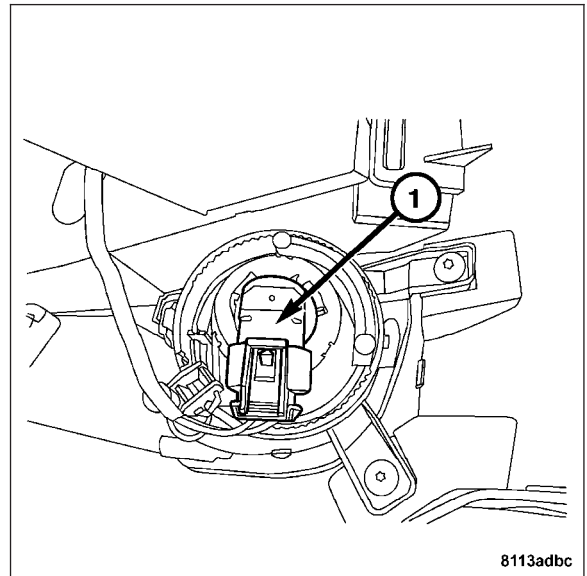
5. Install the lower fascia retaining nuts (1).
6. Connect the ambient air temp sensor wire harness connector (2).



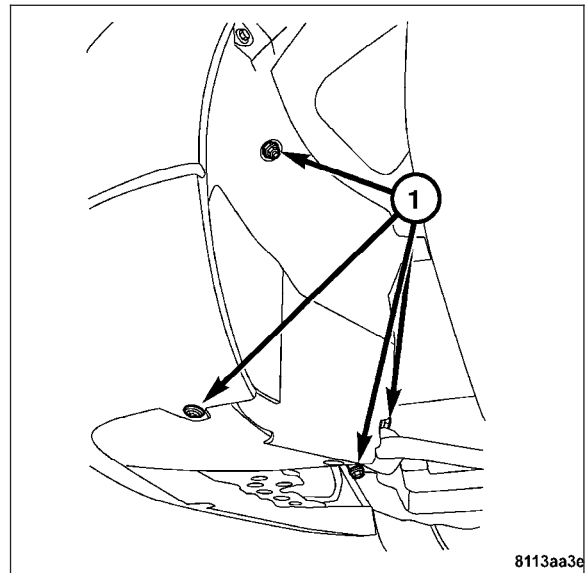
7. Connect the front marker lamp wire harness connector (1).



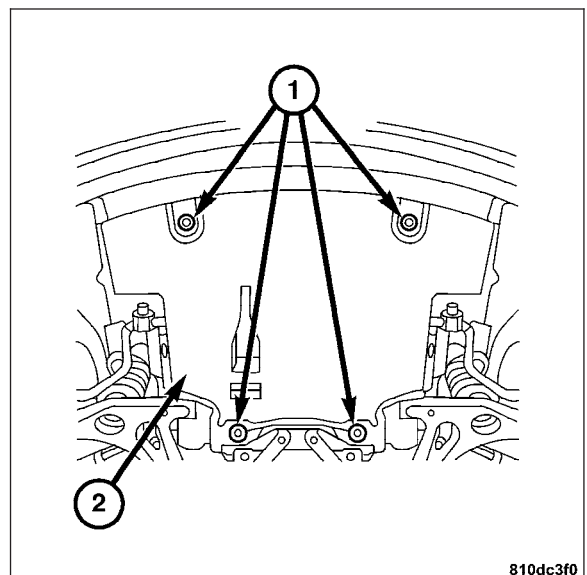
8. Connect the fog lamp wire harness connectors (1).



9. Install the left and right front fascia access panel retaining nuts and screws (1).

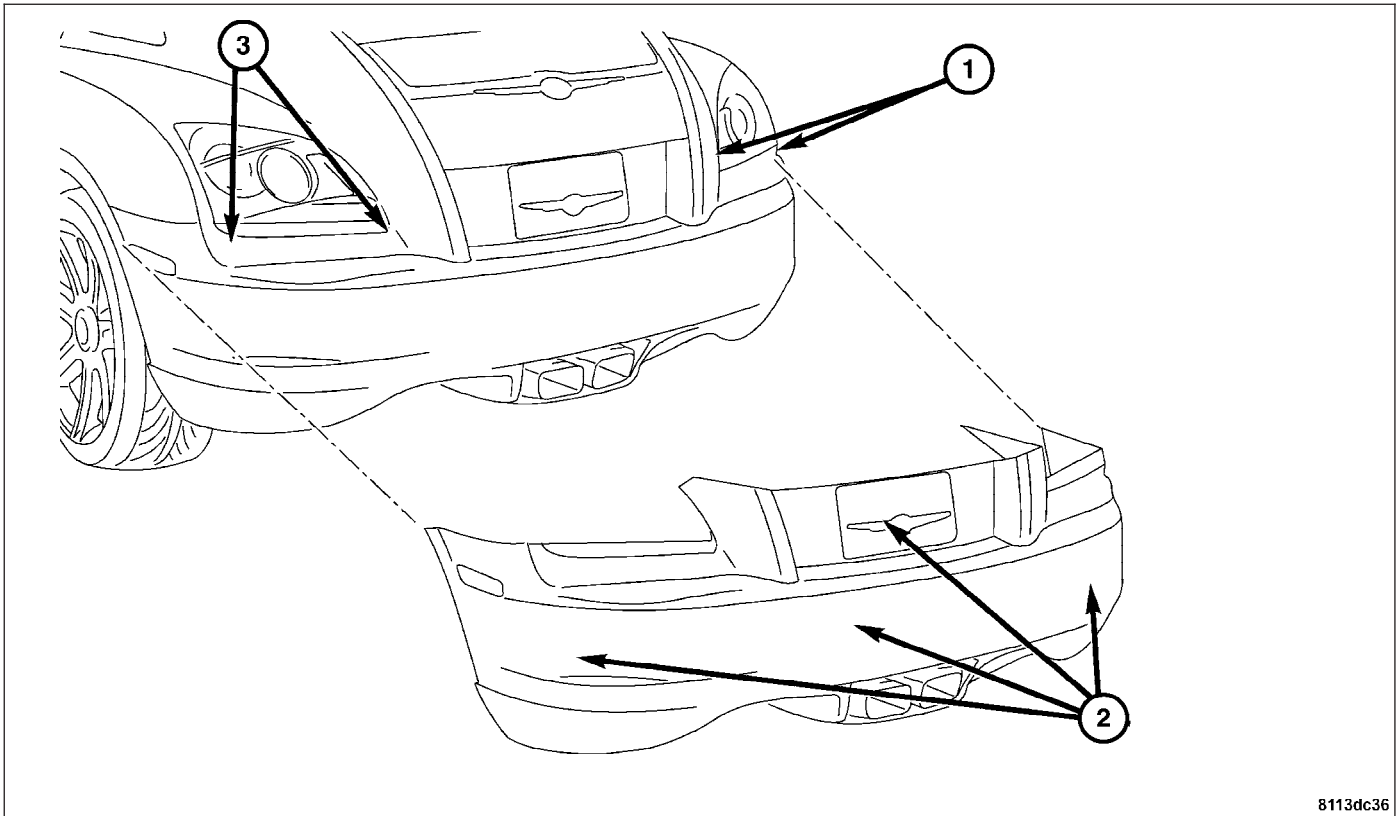


10. Install the lower splash shield and the retaining screws (1).

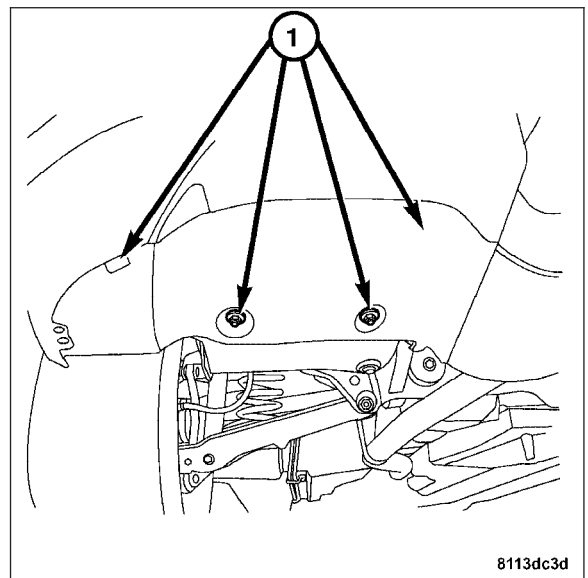


## REAR FASCIA

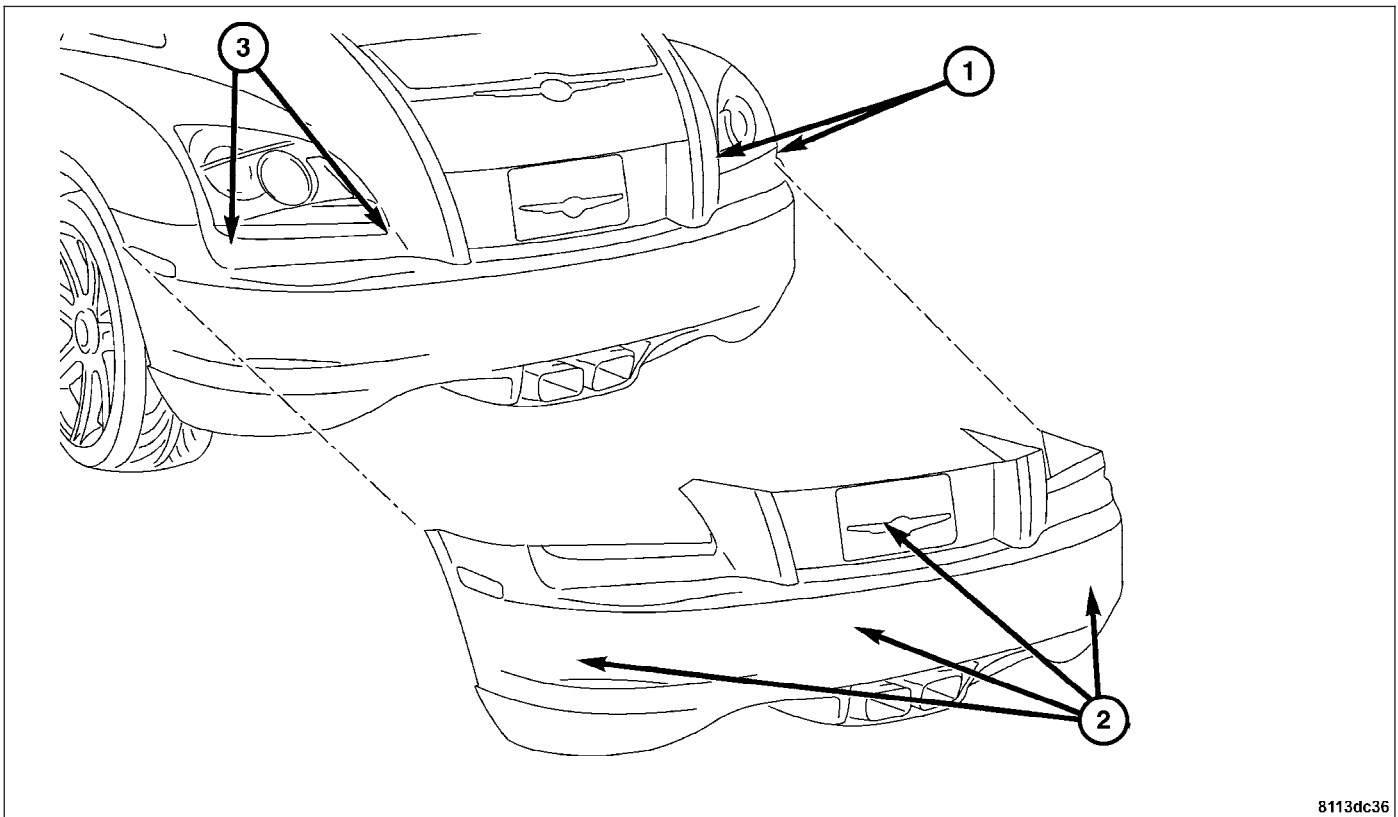
### REMOVAL



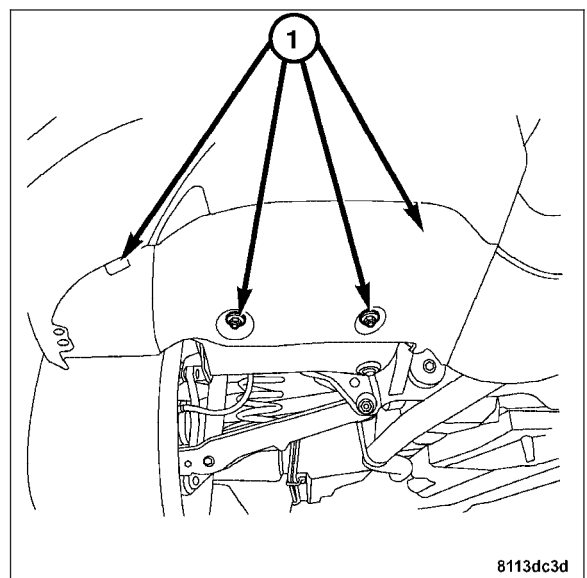
1. Remove the rear fascia assembly retaining screws (1, 2, and 3).
2. Raise and support the vehicle.
3. Remove the right and left lower fascia trim retaining screws (1).
4. Remove the rear fascia from the vehicle.



## INSTALLATION

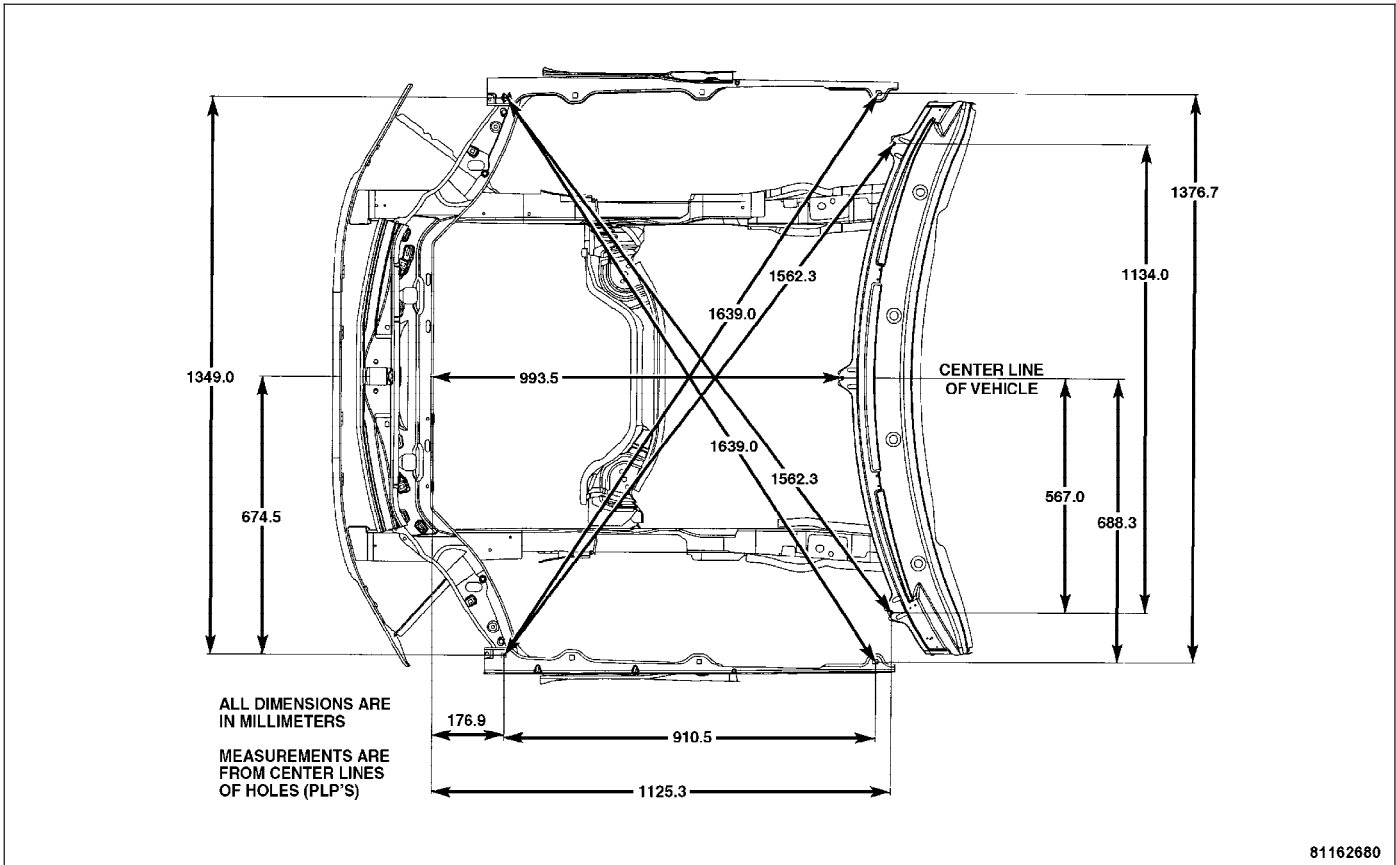


1. Position the rear fascia on the vehicle and install the retaining screws (1, 2, and 3).
2. Install the lower fascia trim and the retaining screws (1).
3. Lower the vehicle.

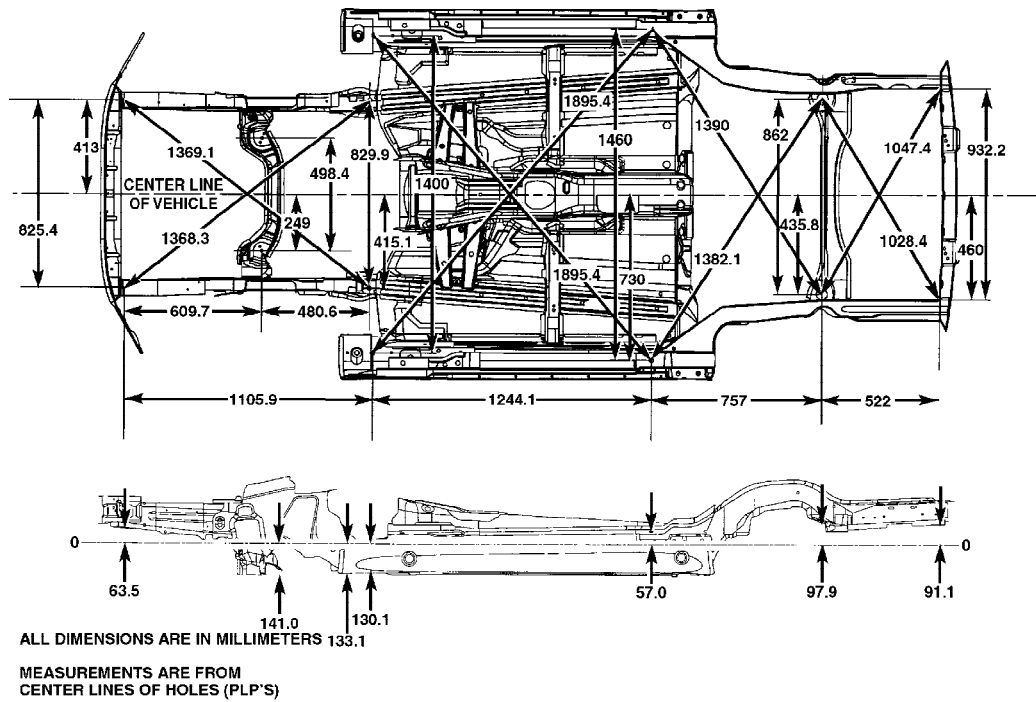


# FRAME

## SPECIFICATIONS - FRAME DIMENSIONS



**ENGINE COMPARTMENT DIMENSIONS**



8116268a

**FRAME DIMENSIONS**