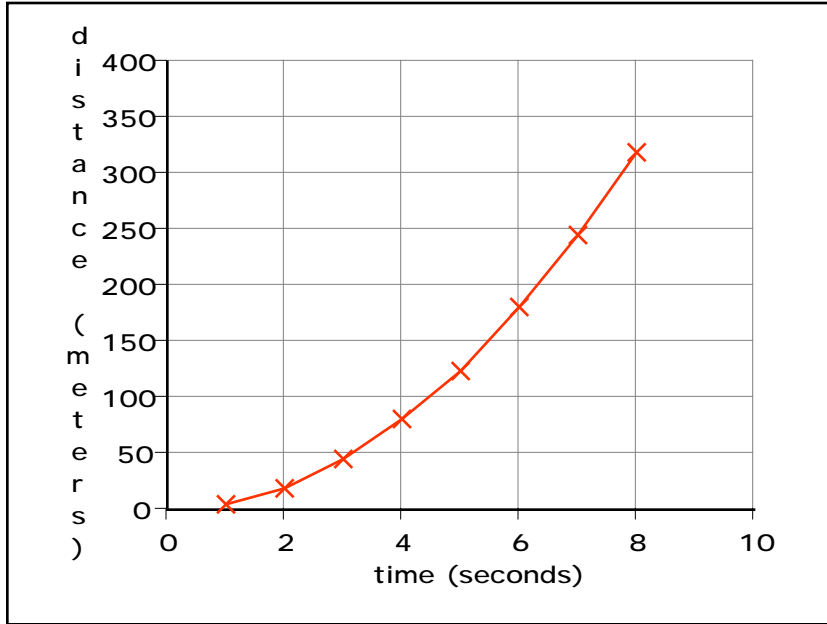


Standardized Test Sampler

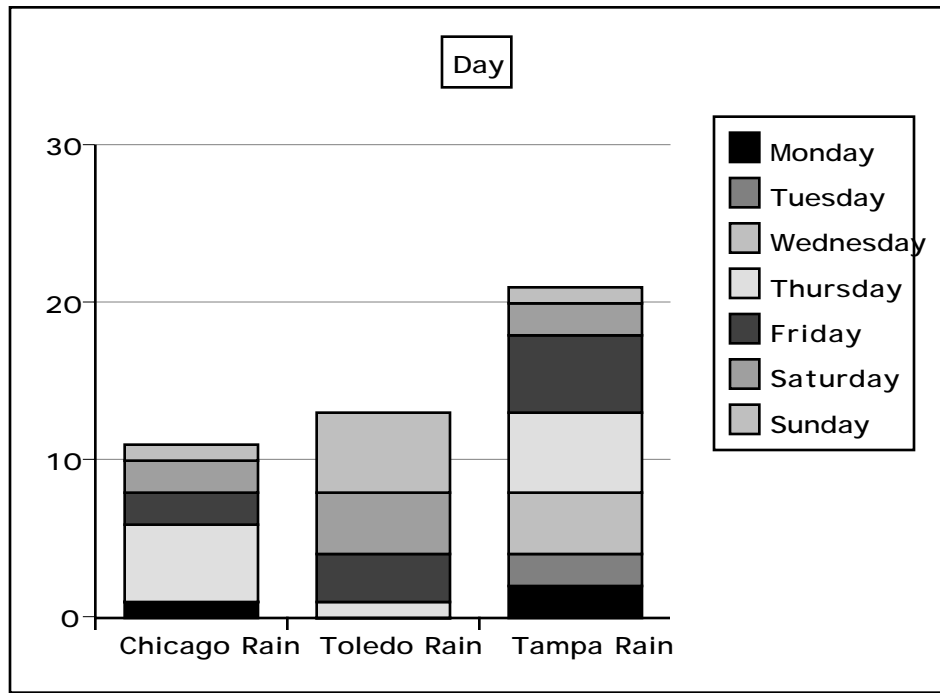
SCIENCE SAMPLER--GRAPH INTERPRETATION

1. According to the graph shown, how far had the object fallen after 5 seconds?

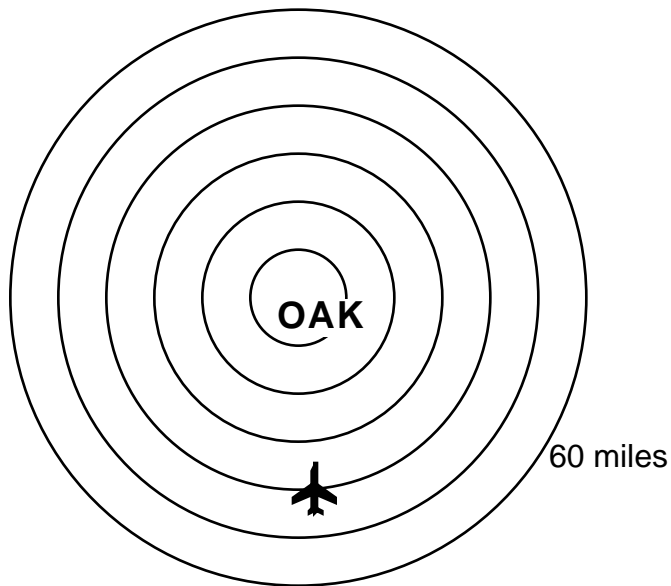


- a) 5 meters
- b) 175 meters
- c) 125 meters
- d) 325 meters

2. In which city was the rainfall the greatest on Friday?



- a) Chicago
- b) Toledo
- c) Tampa
- d) They're all the same

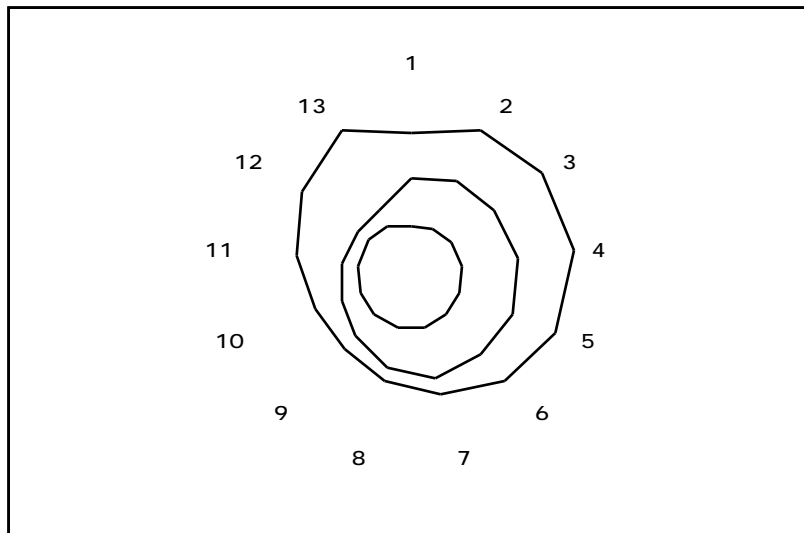


3. If the outer ring is 60 miles in radius, how far is the aircraft from the Oakland airport?

- a) 40 miles
- b) 30 miles
- c) 20 miles
- d) 120 miles

4. Which process is described by these terms: prophase, anaphase, metaphase.

- a) meiosis
- b) mitosis
- c) halitosis
- d) photosynthesis



5. This map shows a contour map of a mountaintop. Starting from the center, in which direction is the hill the steepest?

- a) direction 3
- b) direction 13
- c) direction 10
- d) it is equally steep everywhere